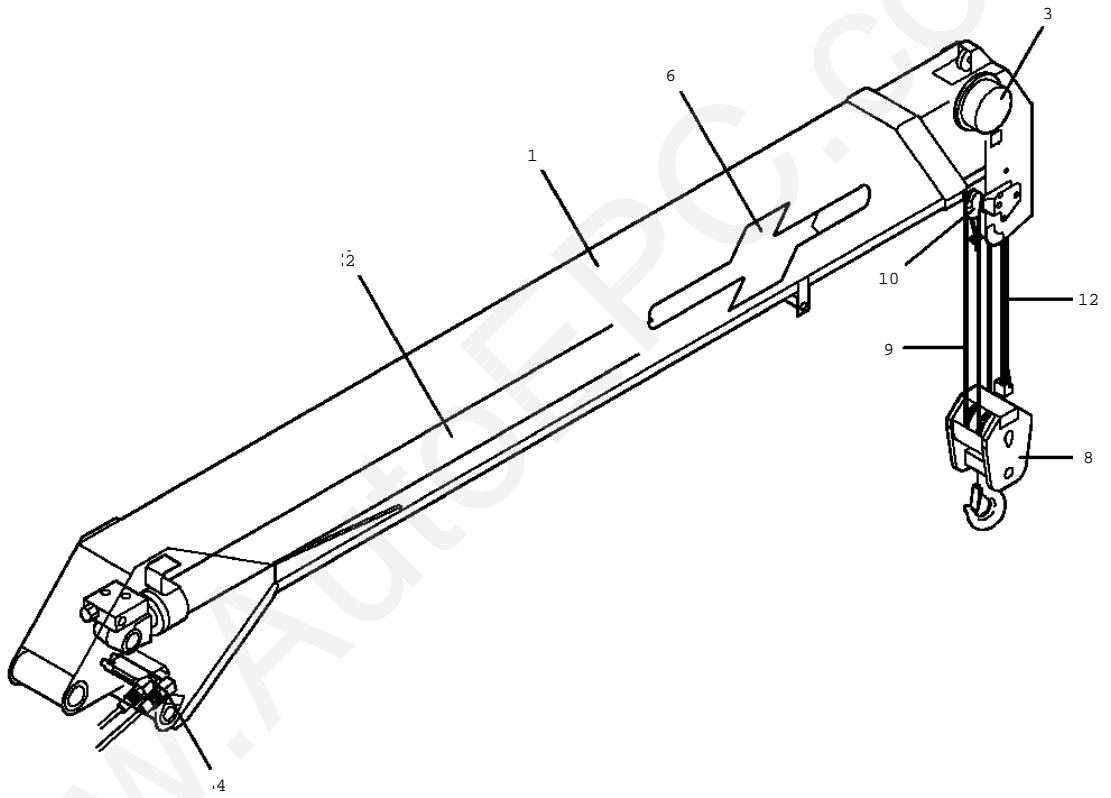


**TM-ZF300 31013020030 BOOM/4 SECT.**

PZ1000283-03 SYSTEM (BOOM)  
ASSEMBLY

www.AutoEPC.com

TM-ZF300 31013020030 BOOM/4 SECT.  
PZ1000283-03 SYSTEM (BOOM)



**TM-ZF300 31013020030 BOOM/4 SECT.**

Pos No.	Parts No	Parts Name	Qty	Unit	Technical Dat
1	(***** )	BOOM	1		
2	(***** )	CYLINDER,TELESCOPING	1		
3	(***** )	DETECTOR,OVER WINDING	1		
4	(***** )	PIPING,TELESCOPING	1		
6	(***** )	PLATE ASSY,NAME (ZF300/JAPANESE)	1		
	(***** )	PLATE ASSY,NAME (ZF300/CHINESE)	1		
	(***** )	PLATE ASSY,NAME (ZF360,JAPANESE)	1		
	(***** )	PLATE ASSY,NAME (ZF300/ENG.& RUSSIAN)	1		
	(***** )	PLATE ASSY,NAME (ZF360/ENG. ,FOR TAIWAN)	1		
	(***** )	PLATE ASSY,NAME (ZF300/ENGLISH)	1		
8	36093830000	HOOK (SHEAVE 2PC'S)	1		
9	37001803280	ROPE,WIRE (KISWIRE)	1		
10	(***** )	SOCKET,ROPE	1		
12	37001908920	DETECTOR,OVER WINDING (ROPE)	1		

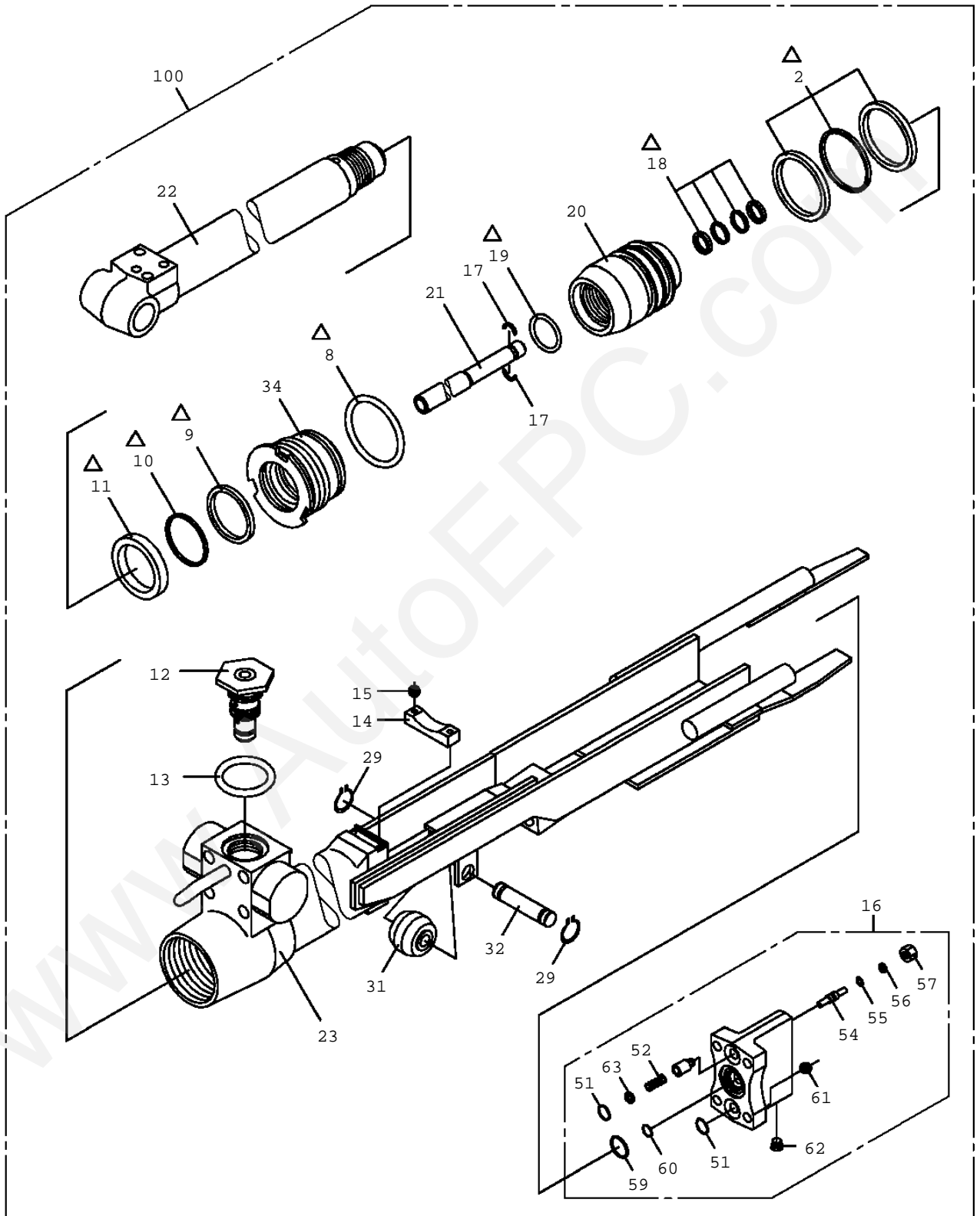
www.AutoEPC.com

**TM-ZF300 31013020030 BOOM/4 SECT.**

PC6470076-00 CYLINDER ASSY,TELESCOPING (NO.1)  
PF1050206-01 HOOK (SHEAVE 2PC'S)  
PF1070033-00 ROPE,WIRE (KISWIRE)  
PF1090022-01 SOCKET,ROPE  
PG1010388-06 BOOM  
PG1050212-07 CYLINDER,TELESCOPING  
PG1050570-03 CYLINDER,TELESCOPING (NO.1)  
PG1050571-00 CYLINDER,TELESCOPING (NO.2)  
PG1200099-00 PIPING,TELESCOPING  
PH1060213-01 DETECTOR,OVER WINDING (ROPE)  
PH1060231-01 DETECTOR,OVER WINDING  
PI1140202-00 VALVE,CHECK  
PI1250074-00 VALVE,COUNTERBALANCE (TELESCOPING)  
PN1350004-01 REEL,CORD  
PO1011512-01 PLATE ASSY,NAME (ZF300/JAPANESE)  
PO1011568-00 PLATE ASSY,NAME (ZF360,JAPANESE)  
PO1011616-01 PLATE ASSY,NAME (ZF300/ENGLISH)  
PO1011624-00 PLATE ASSY,NAME (ZF360/ENG.,FOR TAIWAN)  
PO1012174-00 PLATE ASSY,NAME (ZF300/ENG.& RUSSIAN)  
PO1012611-00 PLATE ASSY,NAME (ZF300/CHINESE)  
PR5050007-00 REEL ASSY,CORD

TM-ZF300 31013020030 BOOM/4 SECT.  
PC6470076-00 CYLINDER ASSY,TELESCOPING (NO.1)

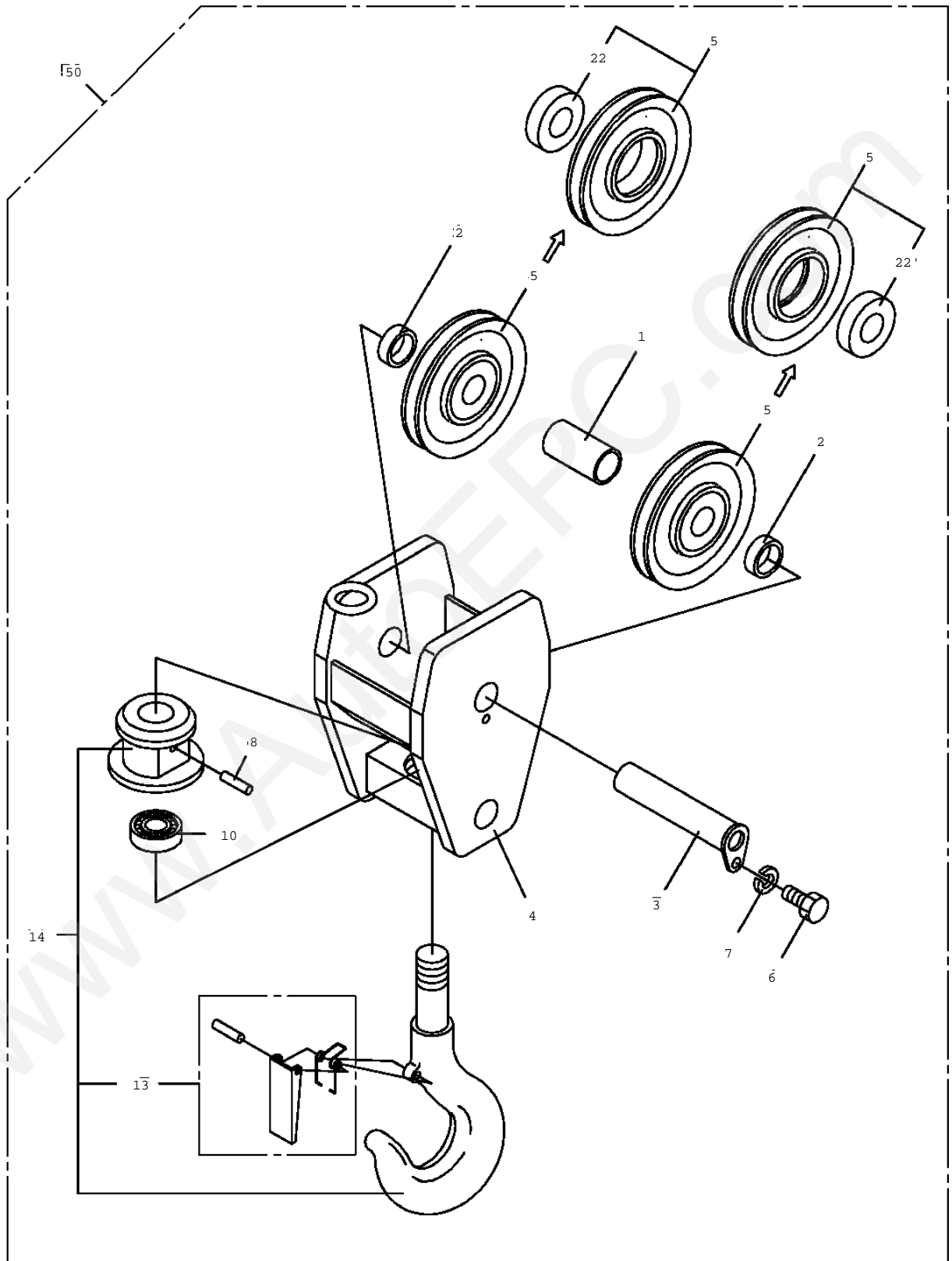
NO.1 CYLINDER



**TM-ZF300 31013020030 BOOM/4 SECT.**

Pos No.	Parts No	Parts Name	Qty	Unit	Technical Data	Seri
2	91350206000	BEARING,PLAIN (WITH PACKINGX2)	1			
8	91002905500	O-RING	1		1B G55	
9	91694004500	PACKING	1			
10	91410204502	RING,BACKUP	1			
11	91660004501	SEAL,DUST	1			
12	(*****)	VALVE,CHECK	1			
13	91001103800	O-RING	1		1A P38	
14	37002008830	PLATE,SLIDE	1			
15	80171304012	SCREW,MACHINE	2		M4X12	
16	36624620000	VALVE,CHECK	1			
17	36010060340	STOPPER	2			
18	37000402120	BEARING,PLAIN (WITH PACKINGX2)	1			
19	91002903500	O-RING	1		1B G35	
20	36013793000	PISTON	1			
21	36014320100	PIPE	1			
22	36013791000	ROD	1			
23	36014321500	CYLINDER	1			
29	80601110120	RING,RITAINING	2		S12	
31	37001104660	ROLLER	1			
32	37000134680	PIN	1			
34	36013793100	COVER,ROD	1			
51	91001101400	O-RING	2		1A P14	
52	37001201560	SPRING	1			
54	36622730200	ROD	1			
55	91001100600	O-RING	1		1A P6	
56	91411000600	RING,BACKUP	1		P6	
57	36622730400	CAP	1			
59	91001202500	O-RING	1		1A G25	
60	91002801500	O-RING	1		1B P15	
61	90131708025	BOLT,HEXAGON SOCKET	4		M8X25	
62	80316090020	PLUG	1		KKT PT1/8	
63	36622730500	SPACER	1		L=5	
90	36014329900	PACKING SET	1		45X60	
100	36014329530	CYLINDER ASSY,TELESCOPING (NO.1)	1			

TM-ZF300 31013020030 BOOM/4 SECT.  
PF1050206-01 HOOK (SHEAVE 2PC'S)



**TM-ZF300 31013020030 BOOM/4 SECT.**

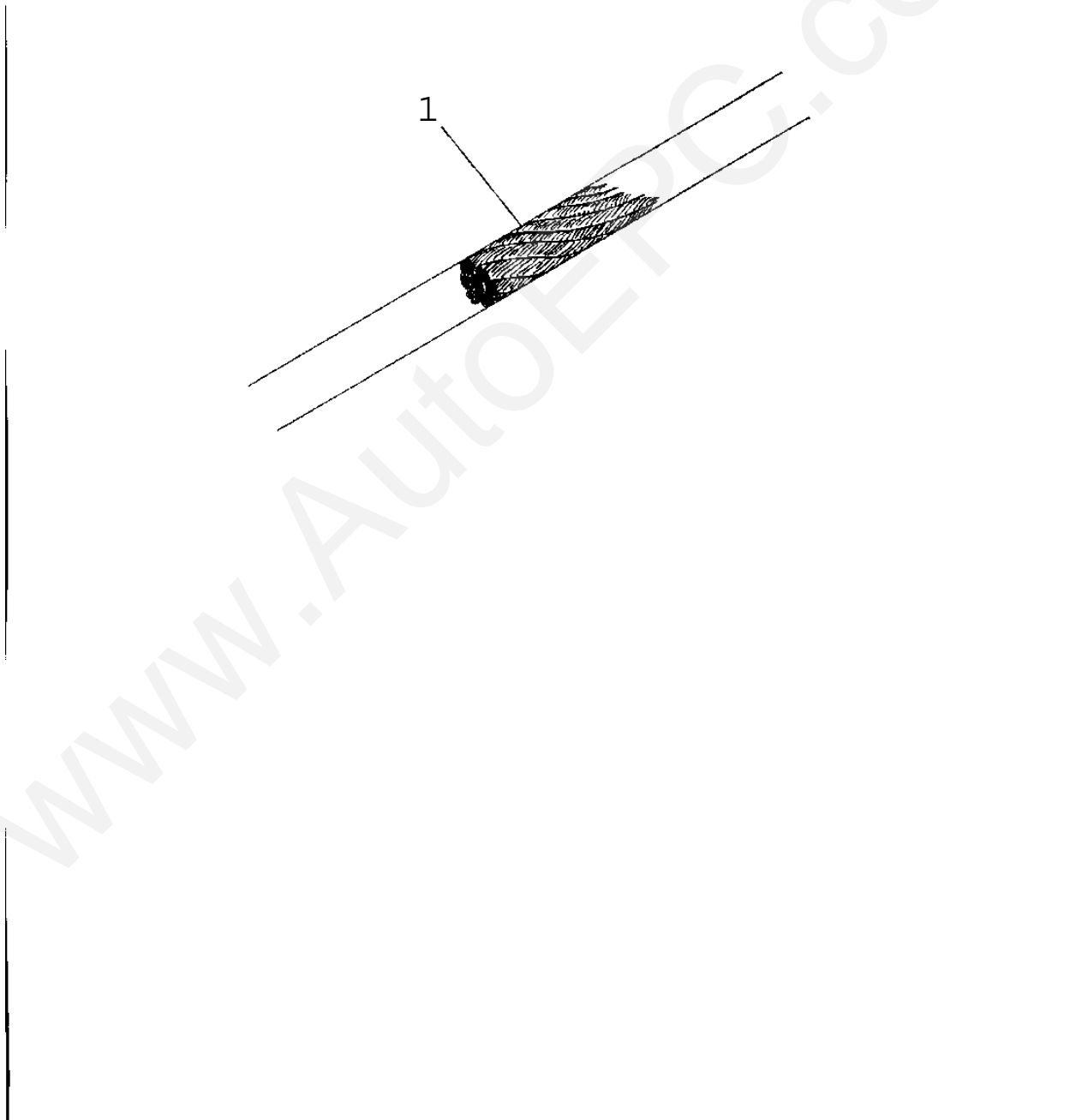
Pos No.	Parts No	Parts Name	Qty	Unit	Technical Data	Serial No (Start)
1	37000301620	SPACER	1			
2	11421507000	SPACER	2			
	37000308850	SPACER	2		L=8.5	049316
3	37000134360	PIN	1			
4	36093831000	BODY	1			
5	37001004350	SHEAVE ASSY	2			
	37001007050	SHEAVE	2			049316
6	90101210016	BOLT	1		M10X16	
7	90302041001	WASHER, SPRING	1		10	
8	80720105050	PIN, SPRING	1		5X50	
	80720105056	PIN, SPRING	1		5X56	048774
10	80500051207	BEARING, BALL	1			
13	36090299510	STOPPER ASSY	1			
14	36093349510	HOOK ASSY	1			
50	36093830000	HOOK (SHEAVE 2PC'S)	1			

www.AutoEPC.com



TM-ZF300 31013020030 BOOM/4 SECT.  
PF1070033-00 ROPE,WIRE (KISWIRE)

REF: 1000

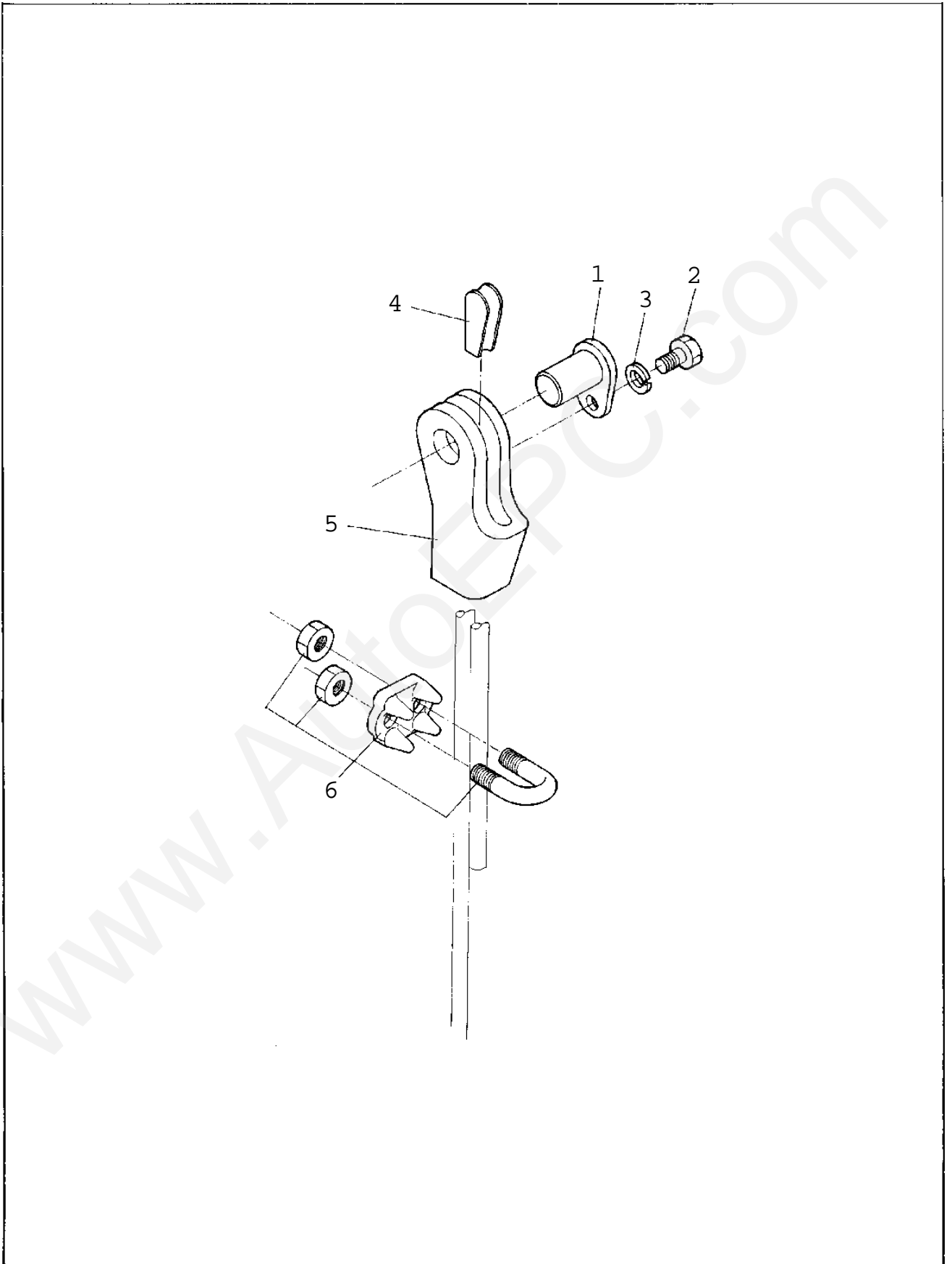


**TM-ZF300 31013020030 BOOM/4 SECT.**

Pos No.	Parts No	Parts Name	Qty	Unit	Technical Data	Serial No (Start)
1	37001803280	ROPE,WIRE (KISWIRE)	1			

www.AutoEPC.com

TM-ZF300 31013020030 BOOM/4 SECT.  
PF1090022-01 SOCKET,ROPE

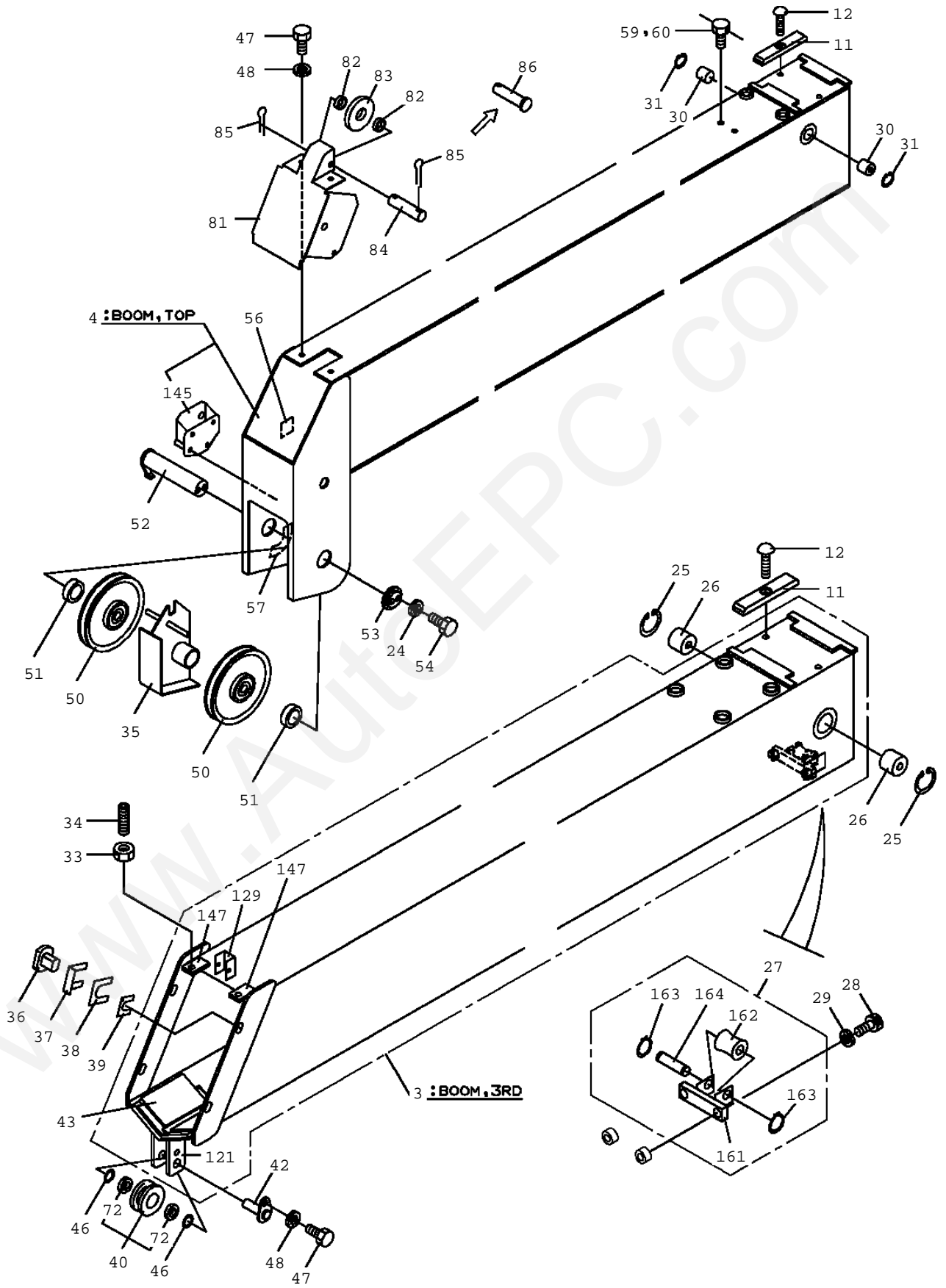


**TM-ZF300 31013020030 BOOM/4 SECT.**

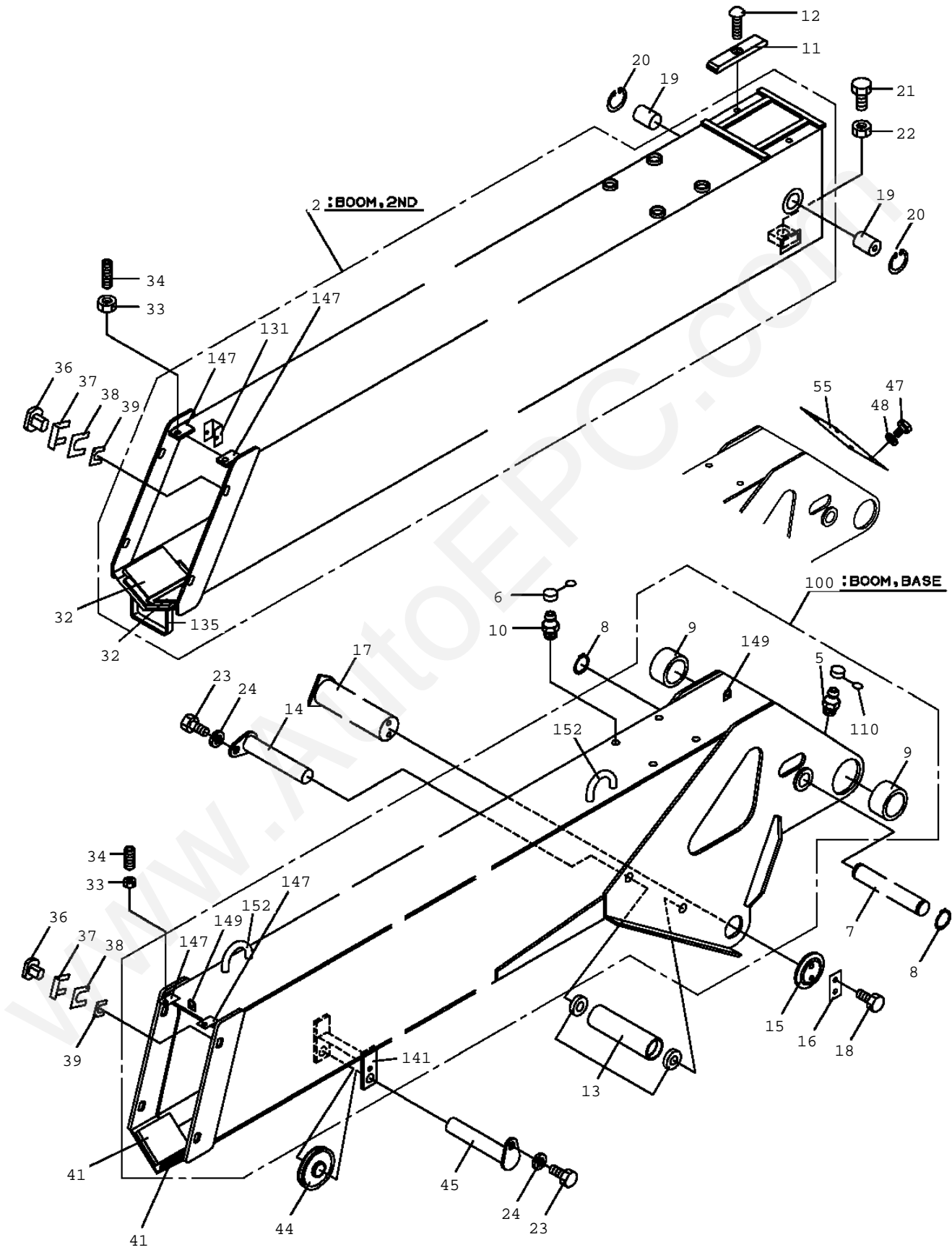
Pos No.	Parts No	Parts Name	Qty	Unit	Technical Data	Serial No (Start)	Serial
1	37000105061	PIN	1				
2	90101208014	BOLT	1		M8X14		
3	90302040801	WASHER, SPRING	1		8		
4	37002600190	WEDGE	1		8		
5	37002600100	SOCKET, ROPE	1		8&9		
6	83151410802	CLIP	1				

www.AutoEPC.com

TM-ZF300 31013020030 BOOM/4 SECT.  
PG1010388-06 BOOM



TM-ZF300 31013020030 BOOM/4 SECT.  
PG1010388-06 BOOM



**TM-ZF300 31013020030 BOOM/4 SECT.**

Pos No.	Parts No	Parts Name	Qty	Unit	Technical Data	Serial No (Start)
2	31201572000	BOOM, 2ND	1			
3	31201583000	BOOM, 3RD	1			
4	31201584000	BOOM, TOP	1			
5	82456101000	NIPPLE, GREASE	1		A-PT1/8	
6	82400000459	CAP	4			
7	37000133560	PIN	1			
8	80601110300	RING, RITAINING	2		S30	
9	37000402780	BEARING, PLAIN (NDC)	2			
10	82455106000	NIPPLE, GREASE	4		A-M6F FE	
11	37002007410	PLATE, SLIDE	6			
12	90180206010	BOLT, BUTTON	6		M6X10	
13	37001106920	ROLLER ASSY	1			
14	37000126850	PIN	1			
15	31230412000	COVER	1			
16	37000527860	PLATE	1			
17	37000202510	PIN	1			
18	90101210016	BOLT	2		M10X16	
19	37000159590	PIN	2			
20	80602110300	RING, RITAINING	2		R30	
21	90101212030	BOLT	1		M12X30	
22	90203201200	NUT	1		M12	
23	90101210012	BOLT	2		M10X12	
24	90302041001	WASHER, SPRING	4		10	
25	80602110350	RING, RITAINING	2		R35	
26	37000109640	PIN	2			
27	31200604100	SUPPORT (WITH ROLLER)	1			
28	90131910020	BOLT, HEXAGON SOCKET	2		M10X20	
29	90302401001	WASHER, SPRING	2		10	
30	37000138380	PIN	2			
31	80602110250	RING, RITAINING	2		R25	
32	37002004950	PLATE, SLIDE	2			
33	90201201000	NUT	6		M10	
34	90710710350	SCREW, SET	6		M10X35	
35	31201500100	SPACER	1			
36	31200894100	PLATE, SLIDE	12			
	31201770100	PLATE, SLIDE	12		T=3.0	048720
37	31201580100	SHIM (FOR FIXED)	12			
38	31200713400	SHIM	6		T=0.6	
39	32200353500	SHIM	9		T=1.2	
40	37001107720	ROLLER ASSY	1			
41	37002006610	PLATE, SLIDE	2			
42	37000160580	PIN	1			
43	37002004930	PLATE, SLIDE	2			
44	37001007020	SHEAVE	1			
	37001007770	SHEAVE	1			052407
45	37000161680	PIN	1			
	37000109780	PIN	1			047071
46	37000538730	PLATE	2			
47	90101208012	BOLT	7		M8X12	
48	90302040801	WASHER, SPRING	7		8	
50	37001004350	SHEAVE ASSY	2			
	37001007050	SHEAVE	2			049354
51	37000303960	SPACER	2		L=13.5	
52	31200604400	PIN	1			
53	31200584000	COVER	1			
54	90191210020	BOLT	2		M10X20	
55	31201580200	COVER	1			
56	37002210230	PLATE, NAME (MARKING)	1			
	37002213970	PLATE, NAME (MARKING)	1			046765
57	37002212680	PLATE, NAME	1			
	37002213980	PLATE, NAME	1			046765
59	37001507700	BOLT	2		M10X16	046603
60	31201520100	WIRE	1		0.9	046603
72	80516006902	BEARING, BALL	2			
	31205310210	BEARING, BALL (IP)	2			DE1549
81	31201585100	SUPPORT	1			
82	90303071201	WASHER, PLAIN	2		12	
83	37001107620	ROLLER	1			
84	37000104920	PIN	1			
	37000170840	PIN	1			054681
85	80136332020	PIN, SPLIT	2		3.2X20	
	80136332020	PIN, SPLIT	1		3.2X20	DA1702
86	37000172930	PIN	1			DA1702
100	31201579510	BOOM, BASE	1			

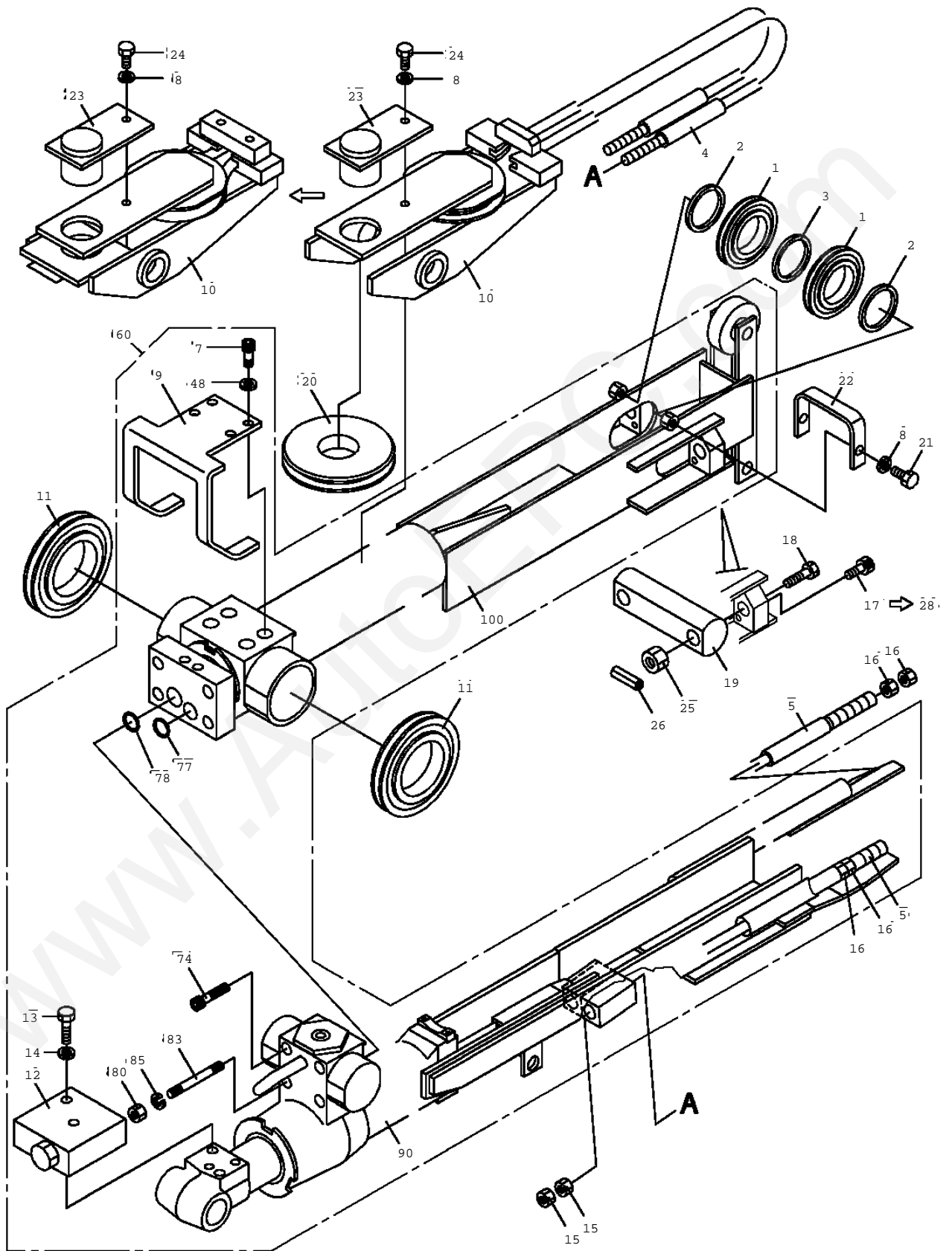
**TM-ZF300 31013020030 BOOM/4 SECT.**

Pos No.	Parts No	Parts Name	Qty	Unit	Technical Data	Serial No (Start)
110	82400000459	CAP	1			
121	31201588050	SUPPORT ASSY	1			
129	31201713180	SUPPORT	1			048928
131	31201572210	SUPPORT	1			
135	31201572230	GUIDE	1			
141	31201578030	SUPPORT ASSY	1			
145	31201584200	SUPPORT	1			
147	31200581400	SUPPORT	6			
149	31200791030	PLATE	2			
152	31201571100	SUPPORT	2			
161	31200604200	SUPPORT	1			
162	37001101900	ROLLER	1			
163	80601110120	RING,RITAINING	2		S12	
164	37000134160	PIN	1			

www.AutoEPC.com



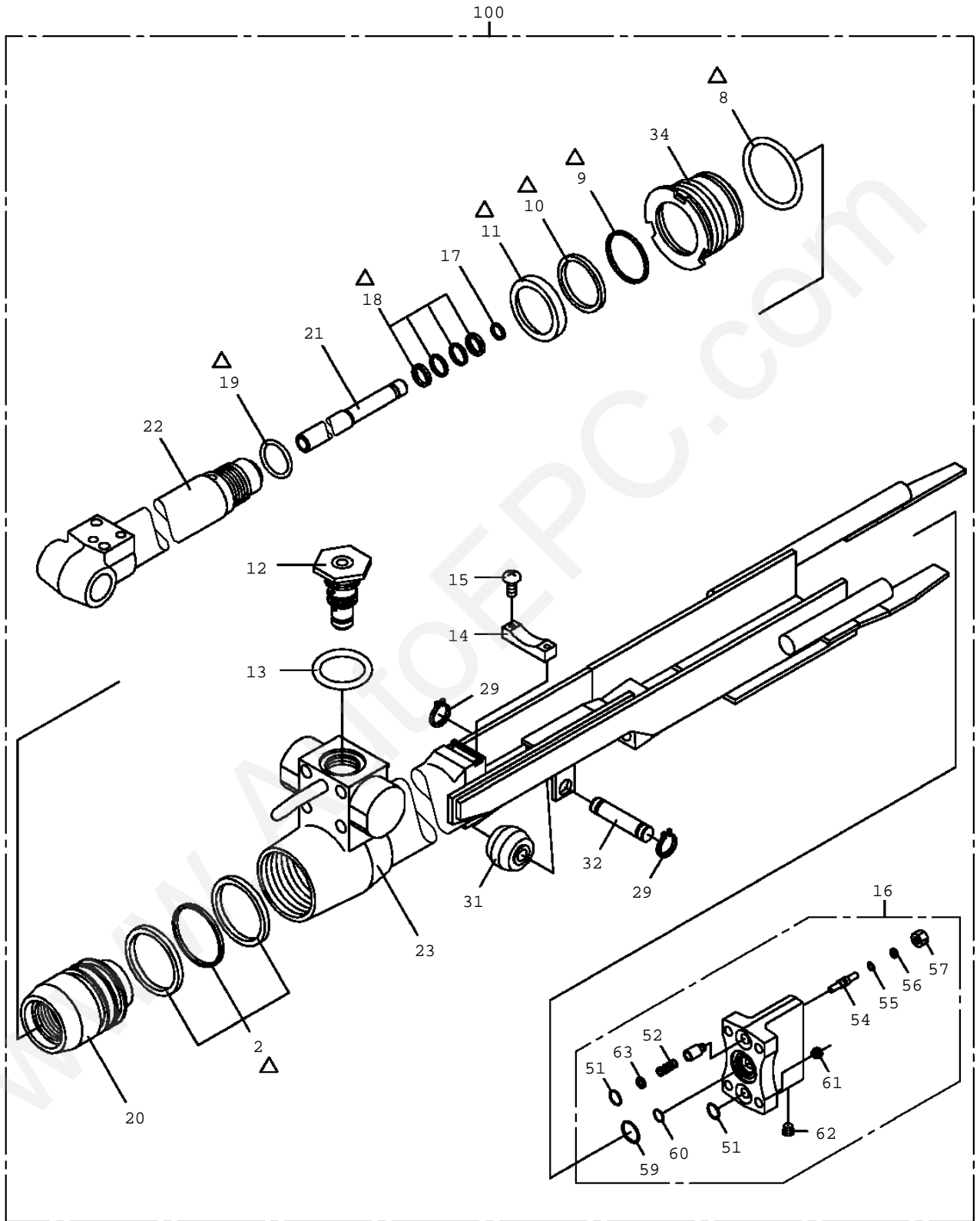
TM-ZF300 31013020030 BOOM/4 SECT.  
PG1050212-07 CYLINDER, TELESCOPING



**TM-ZF300 31013020030 BOOM/4 SECT.**

Pos No.	Parts No	Parts Name	Qty	Unit	Technical Data	Seri
1	37001004490	SHEAVE ASSY	2			
2	37000300990	SPACER	2		L=3	
3	37000302640	SPACER	1		L=6	
4	37001910600	ROPE,WIRE (KOKOKU)	1		9X5.89M	
	37001912310	ROPE,WIRE (TESAC)	1		9X5.89M	
	37001921580	ROPE,WIRE (KISWIRE)	1		9X5.89M	DA83
5	37001912250	ROPE,WIRE (TESAC)	1			
	37001910540	ROPE,WIRE (KOKOKU)	1			
7	90131508014	BOLT,HEXAGON SOCKET	4		M8X14	
8	90302040801	WASHER,SPRING	3		8	
9	31210170010	SUPPORT	1			
10	36013823500	SUPPORT	1			
	31210970100	SUPPORT	1			0466
11	37001004450	SHEAVE ASSY	2			
12	36604080000	VALVE,COUNTERBALANCE (TELESCOPING)	1			
13	90171110040	BOLT	2		M10X40	
14	90302041001	WASHER,SPRING	2		10	
15	90202201400	NUT	4		M14	
16	90202201200	NUT	4		M12	
17	90172106010	BOLT,HEXAGON SOCKET	2		M6X10	
18	37001506620	BOLT	2			
19	37000154620	PIN	1			
20	36013823700	SUPPORT	1			
	31210970200	SUPPORT	1			0466
21	90101208012	BOLT	2		M8X12	
22	36013823600	SUPPORT	1			
23	36013823800	PIN	1			
24	90101208030	BOLT	1		M8X30	
25	90253401400	NUT	2			
26	80720102020	PIN,SPRING	2			
48	90302040801	WASHER,SPRING	4		8	
60	31210978010	CYLINDER ASSY	1			
74	90131712065	BOLT,HEXAGON SOCKET	3		M12X65	
77	91001101000	O-RING	1		1A P10	
78	91001101400	O-RING	1		1A P14	
80	90201701200	NUT	1		M12	
83	90141312070	BOLT,STUD	1			
85	90302041201	WASHER,SPRING	1		12	
90	36014329510	CYLINDER,TELESCOPING (NO.1)	1			
	36014329530	CYLINDER ASSY,TELESCOPING (NO.1)	1			DF59
100	36014329520	CYLINDER,TELESCOPING (NO.2)	1			

TM-ZF300 31013020030 BOOM/4 SECT.  
 PG1050570-03 CYLINDER,TELESCOPING (NO.1)

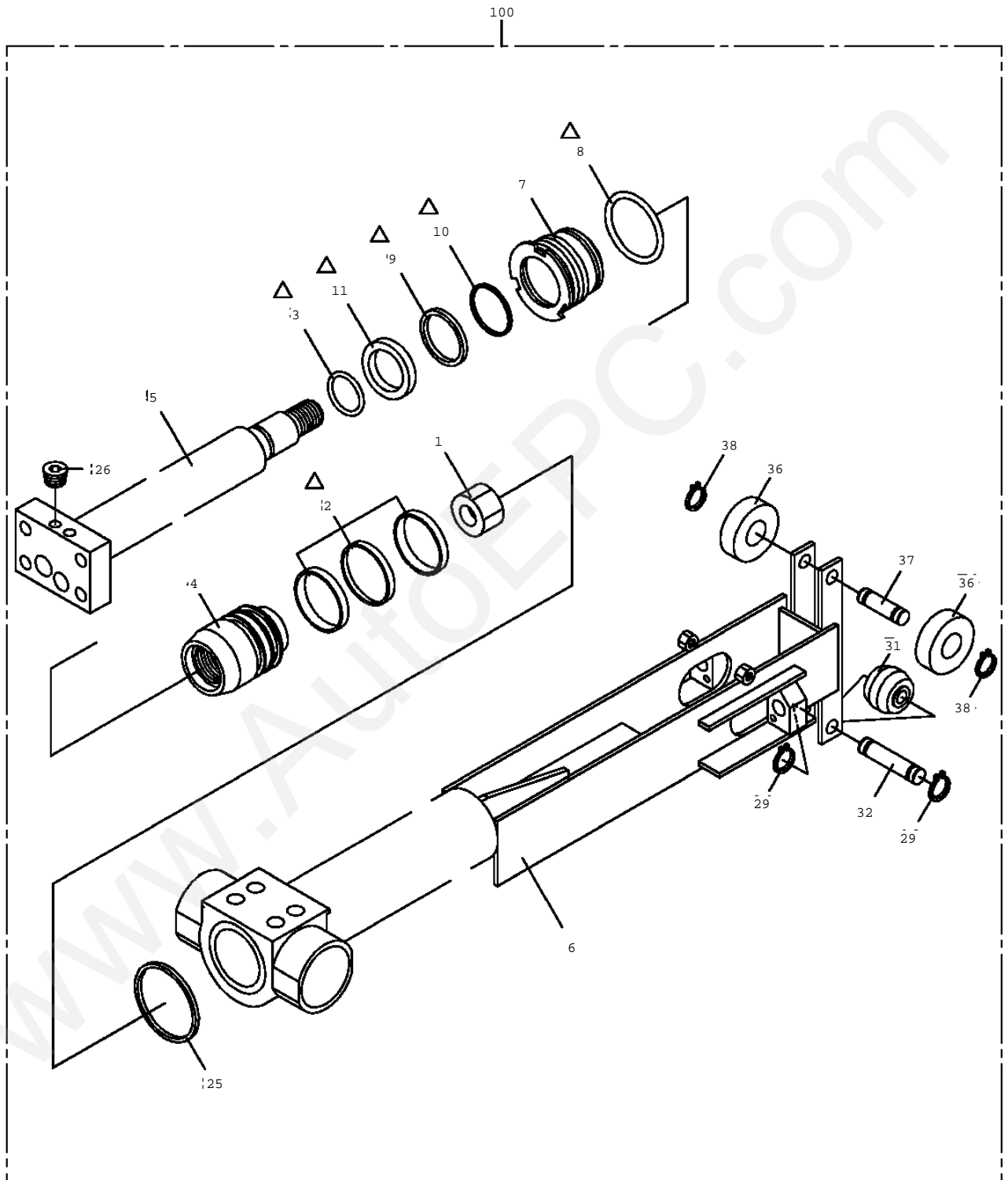


Δ:PACKING SET KEY NO.90 (KEY NO.2,8,9,10,11,18,19)

**TM-ZF300 31013020030 BOOM/4 SECT.**

Pos No.	Parts No	Parts Name	Qty	Unit	Technical Data	Serial
2	91350206000	BEARING,PLAIN (WITH PACKINGX2)	1			
8	91002905500	O-RING	1		1B G55	
9	91694004500	PACKING	1			
10	91410204502	RING,BACKUP	1			
11	91660004501	SEAL,DUST	1			
12	(*****)	VALVE,CHECK	1			
13	91001103800	O-RING	1		1A P38	
14	37002008830	PLATE,SLIDE	1			
15	80171304012	SCREW,MACHINE	2		M4X12	
16	36622730000	VALVE,CHECK	1			
	36624620000	VALVE,CHECK	1			054540
	36625270000	VALVE,CHECK	1			DE3538
17	36010060340	STOPPER	2			
18	37000402120	BEARING,PLAIN (WITH PACKINGX2)	1			
19	91002903500	O-RING	1		1B G35	
20	36013793000	PISTON	1			
21	36013920800	PIPE	1			
	36014320100	PIPE	1			DA0448
22	36013791000	ROD	1			
23	36014321500	CYLINDER	1			
29	80601110120	RING,RITAINING	2		S12	
31	37001104660	ROLLER	1			
32	37000134680	PIN	1			
34	36013793100	COVER,ROD	1			
51	91001101400	O-RING	2		1A P14	
52	14134024000	SPRING	1			
	37001201560	SPRING	1			054540
54	36622730200	ROD	1			
	36625270200	ROD	1			DE3538
55	91001100600	O-RING	1		1A P6	
56	91411000600	RING,BACKUP	1		P6	
57	36622730400	CAP	1			
59	91001202500	O-RING	1		1A G25	
60	91002801500	O-RING	1		1B P15	
61	90131708025	BOLT,HEXAGON SOCKET	4		M8X25	
62	80316090020	PLUG	1		KKT PT1/8	
63	36622730500	SPACER	1		L=5	
90	36014329900	PACKING SET	1		45X60	
100	36014329510	CYLINDER,TELESCOPING (NO.1)	1			

TM-ZF300 31013020030 BOOM/4 SECT.  
 PG1050571-00 CYLINDER,TELESCOPING (NO.2)



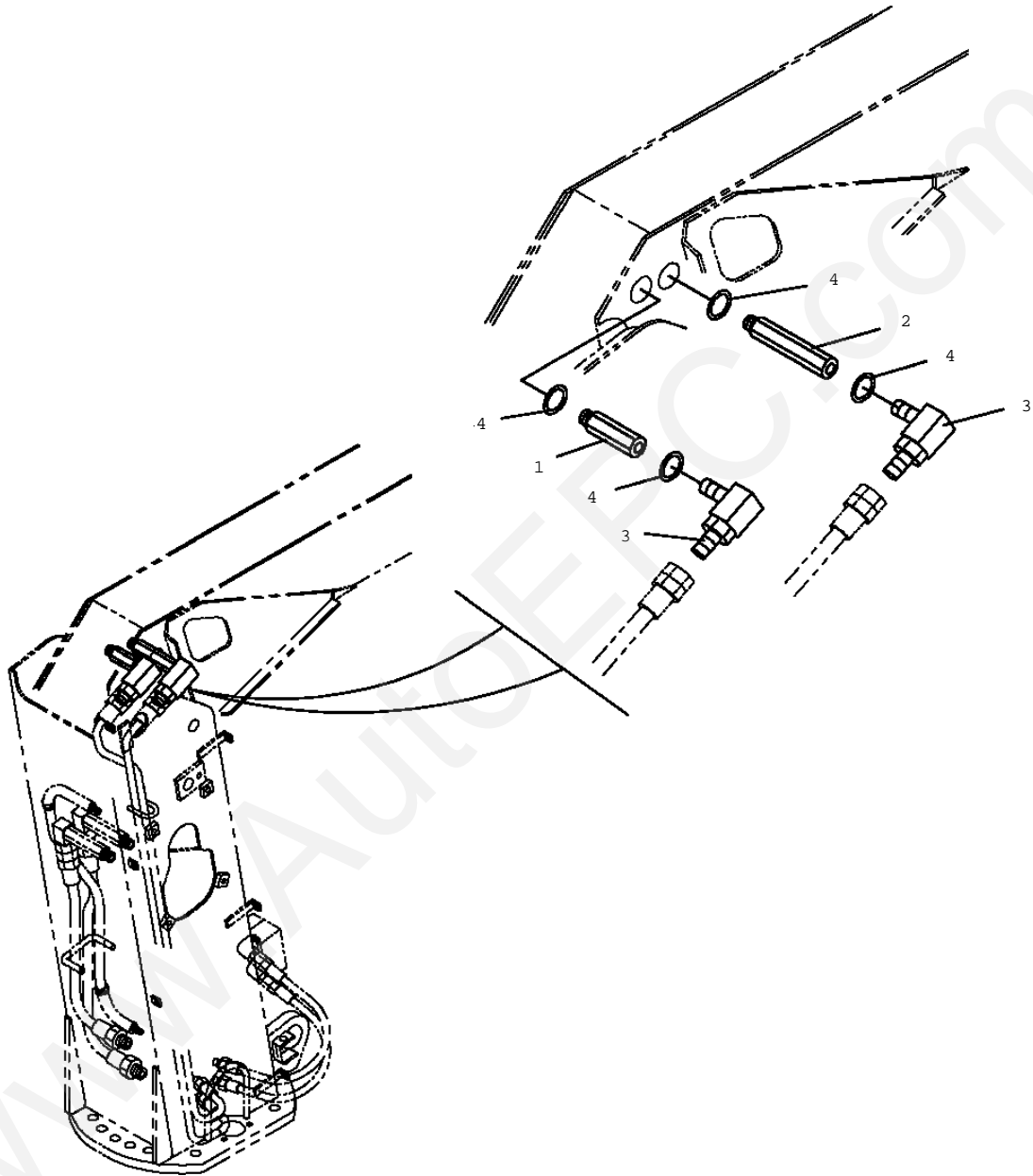
Δ:PACKING SET KEY NO.100 (KEY NO.2,3,8,9,10,11)

**TM-ZF300 31013020030 BOOM/4 SECT.**

Pos No.	Parts No	Parts Name	Qty	Unit	Technical Data	Serial N
1	90209202700	NUT	1		M27X2	
2	91350206000	BEARING,PLAIN (WITH PACKINGX2)	1			
3	91002902500	O-RING	1		1B G25	
4	36013823000	PISTON	1			
5	36013822000	ROD	1			
	36013822001	ROD	1			054540
6	36014322500	CYLINDER	1			
7	36013823200	COVER,ROD	1			
8	91002905500	O-RING	1		1B G55	
9	91694004500	PACKING	1			
10	91410204502	RING,BACKUP	1			
11	91660004501	SEAL,DUST	1			
25	37000540820	PLATE	1			
26	80316030020	PLUG	1		PT1/8	
29	80601110120	RING,RITAINING	2		S12	
31	37001104660	ROLLER	1			
32	37000134680	PIN	1			
36	80530000225	BEARING,BALL (KOYO)	2			
37	37000159630	PIN	1			
38	80601110150	RING,RITAINING	1		15	
60	36014329910	PACKING SET	1		45X60	
100	36014329520	CYLINDER,TELESCOPING (NO.2)	1			

www.AutoEPC.com

TM-ZF300 31013020030 BOOM/4 SECT.  
PG1200099-00 PIPING,TELESCOPING



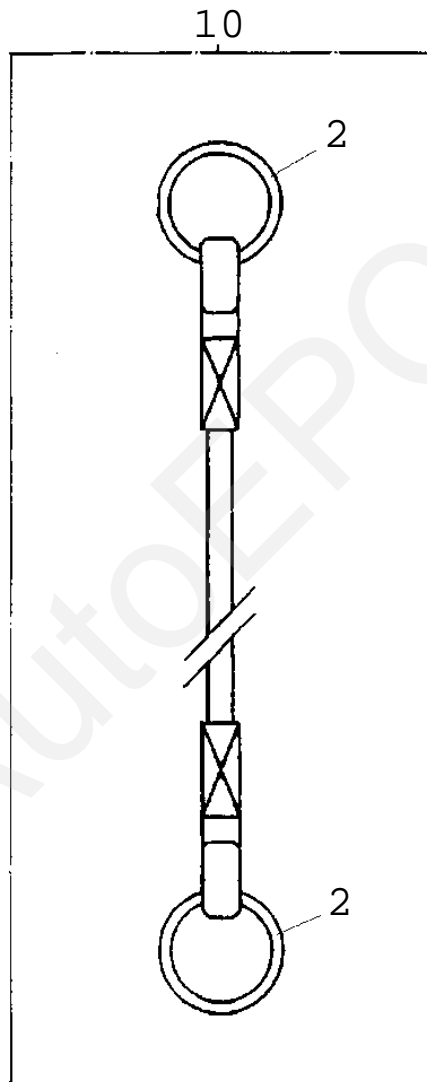
**TM-ZF300 31013020030 BOOM/4 SECT.**

Pos No.	Parts No	Parts Name	Qty	Unit	Technical Data	Serial No (Start)	Serial No
1	37000920960	JOINT	1				
2	37000920970	JOINT	1		S,G1/4-G1/4		
3	80481102030	JOINT	2		L G1/4-G3/8		
4	91002801100	O-RING	4		1B P11		

www.AutoEPC.com



TM-ZF300 31013020030 BOOM/4 SECT.  
PH1060213-01 DETECTOR, OVER WINDING (ROPE)

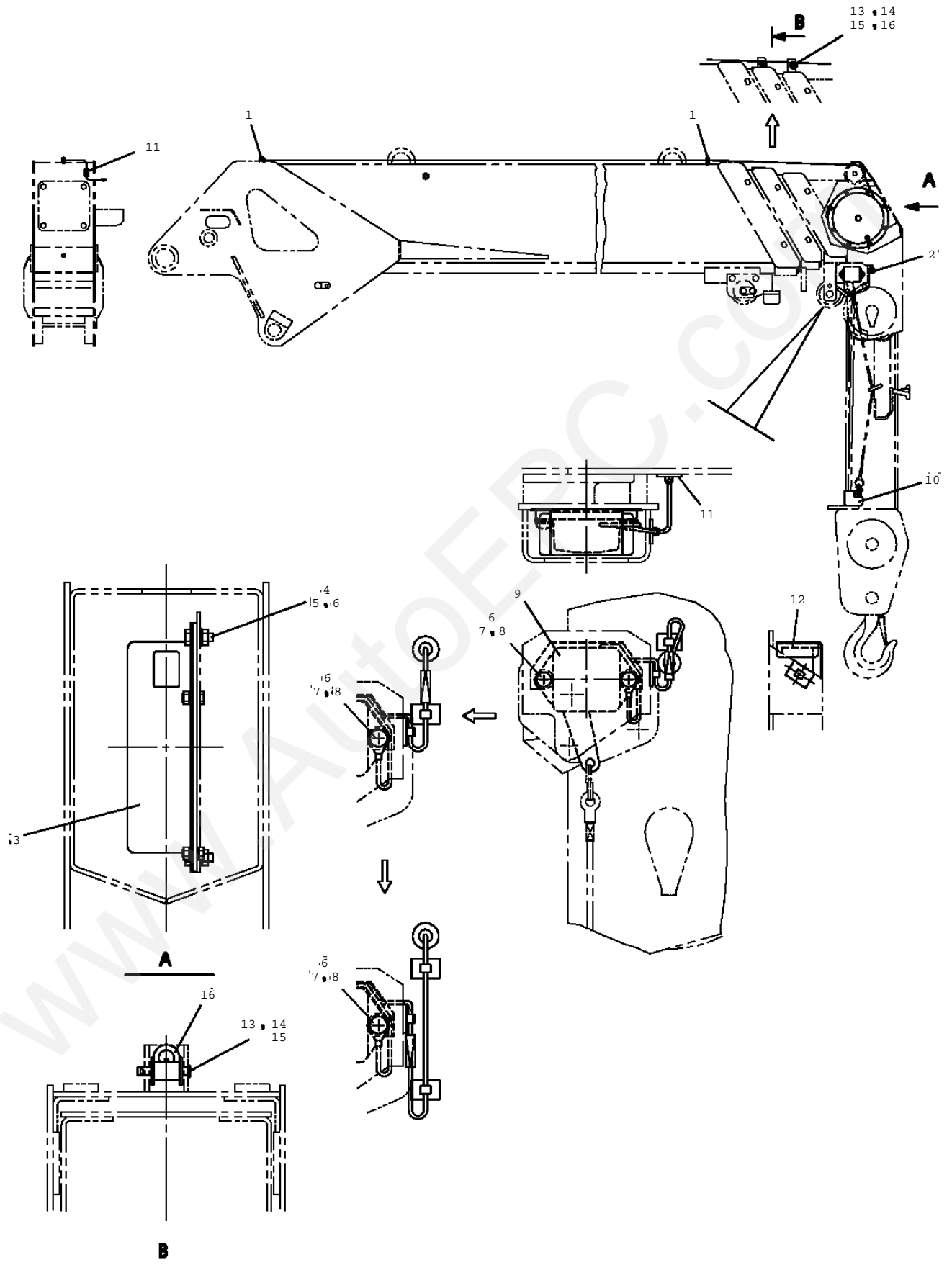


**TM-ZF300 31013020030 BOOM/4 SECT.**

Pos No.	Parts No	Parts Name	Qty	Unit	Technical Data	Serial No
2	31371187520	RING	2			
10	37001908920	DETECTOR, OVER WINDING (ROPE)	1			

www.AutoEPC.com

TM-ZF300 31013020030 BOOM/4 SECT.  
PH1060231-01 DETECTOR, OVER WINDING

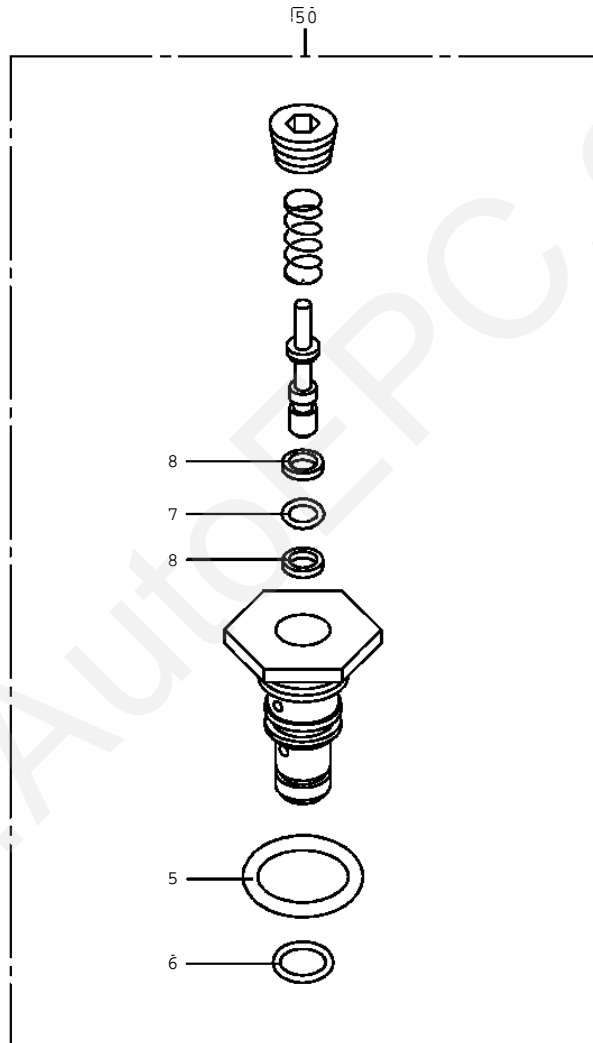


**TM-ZF300 31013020030 BOOM/4 SECT.**

Pos No.	Parts No	Parts Name	Qty	Unit	Technical Data	Serial No (Start)	Serial No
1	82400000074	GROMMET	2				
2	14148375000	GROMMET	1				
3	36160250000	REEL, CORD	1				DF637
	36161700000	REEL ASSY, CORD	1			DF6377	
4	90101206016	BOLT	2		M6X16		
5	90201200600	NUT	2		M6		
6	90302040601	WASHER, SPRING	4		6		
7	80182306014	SCREW, MACHINE	2		M6X14		
8	90303070601	WASHER, PLAIN	2		6		
9	31371282000	SWITCH ASSY	1				
10	31371332000	WEIGHT ASSY	1				
11	82401600504	CLAMP	3				05229
	82401600504	CLAMP	4			052300	
12	31371283000	SUPPORT	1				
13	31371210110	ROLLER	2				
14	37000122350	PIN	2				
15	80136320016	PIN, SPLIT	2		2X16		
16	82400000216	GROMMET	2		C30NG79-H		

www.AutoEPC.com

TM-ZF300 31013020030 BOOM/4 SECT.  
PI1140202-00 VALVE,CHECK

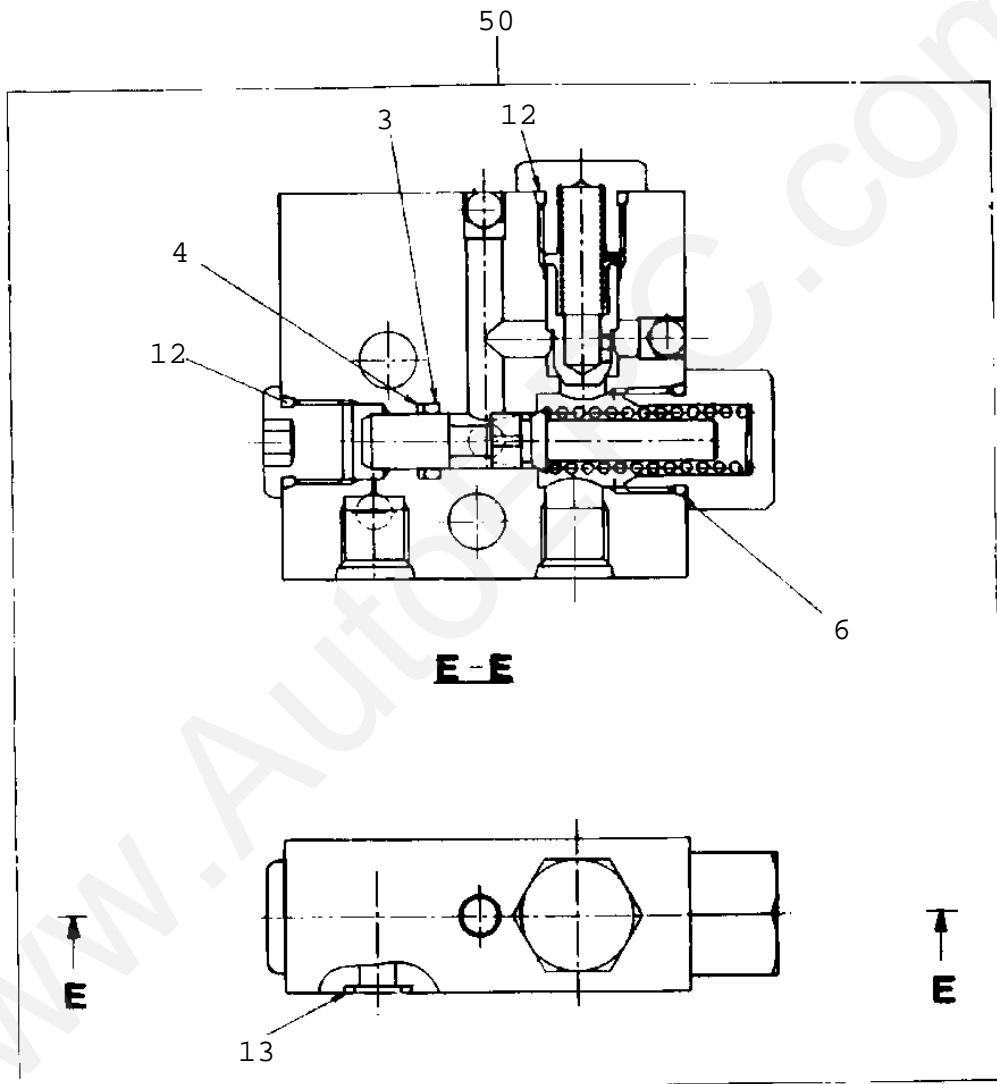


**TM-ZF300 31013020030 BOOM/4 SECT.**

Pos No.	Parts No	Parts Name	Qty	Unit	Technical Data	Serial No (Start)	Serial N
5	91002802201	O-RING	1		1B P22A		
6	91002801600	O-RING	1		1B P16		
7	91001100700	O-RING	1		1A P7		
8	91411000700	RING, BACKUP	2		P7		
50	36012150700	VALVE, CHECK	1				

www.AutoEPC.com

TM-ZF300 31013020030 BOOM/4 SECT.  
PI1250074-00 VALVE,COUNTERBALANCE (TELESCOPING)



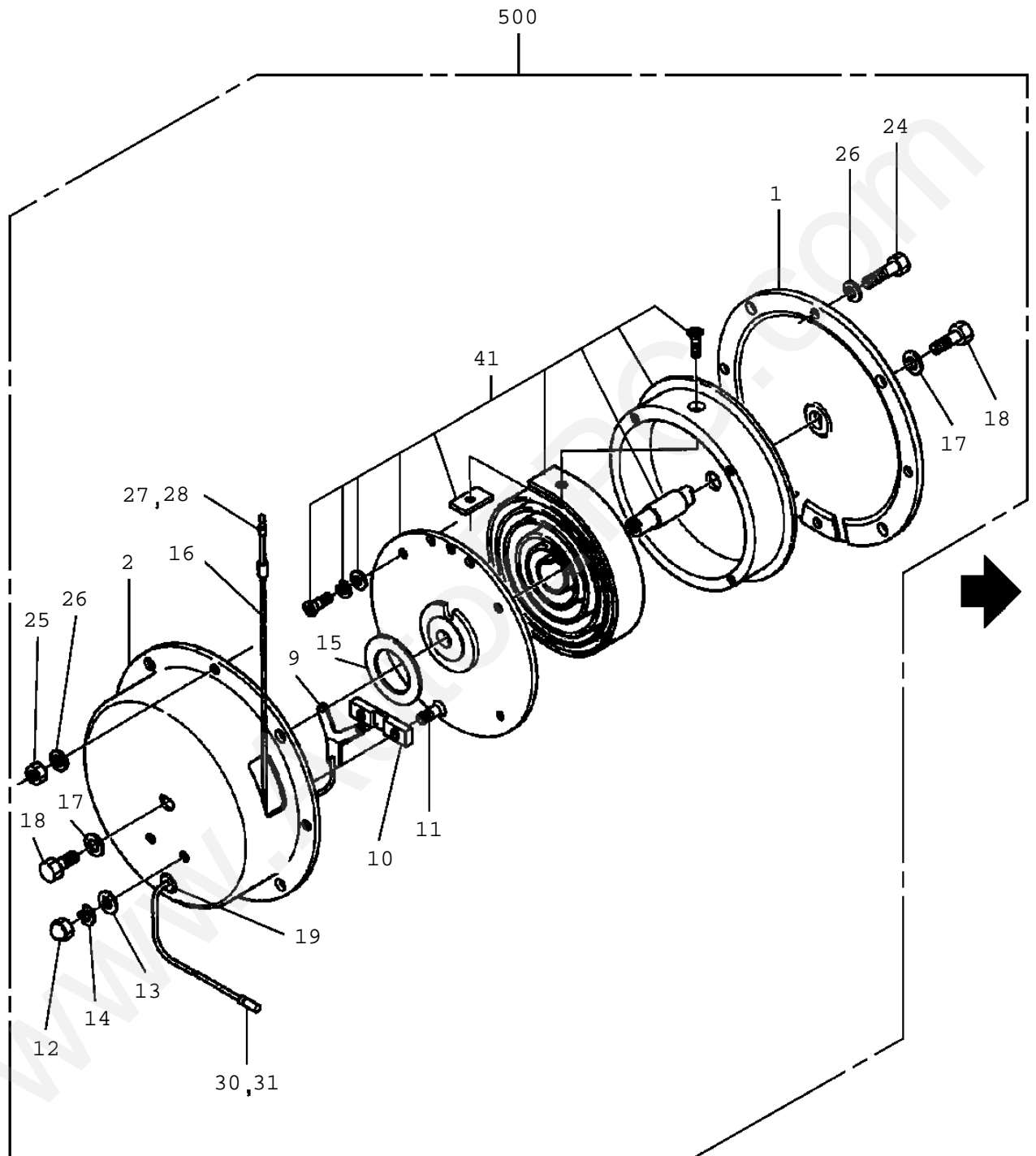
**TM-ZF300 31013020030 BOOM/4 SECT.**

Pos No.	Parts No	Parts Name	Qty	Unit	Technical Data	Seri
3	91001101100	O-RING	1		1A P11	
4	91411001100	RING, BACKUP	1			
6	91001101800	O-RING	1		1A P18	
12	91001101400	O-RING	2		1A P14	
13	91002801000	O-RING	2		1B P10	
50	36604080000	VALVE, COUNTERBALANCE (TELESCOPING)	1			

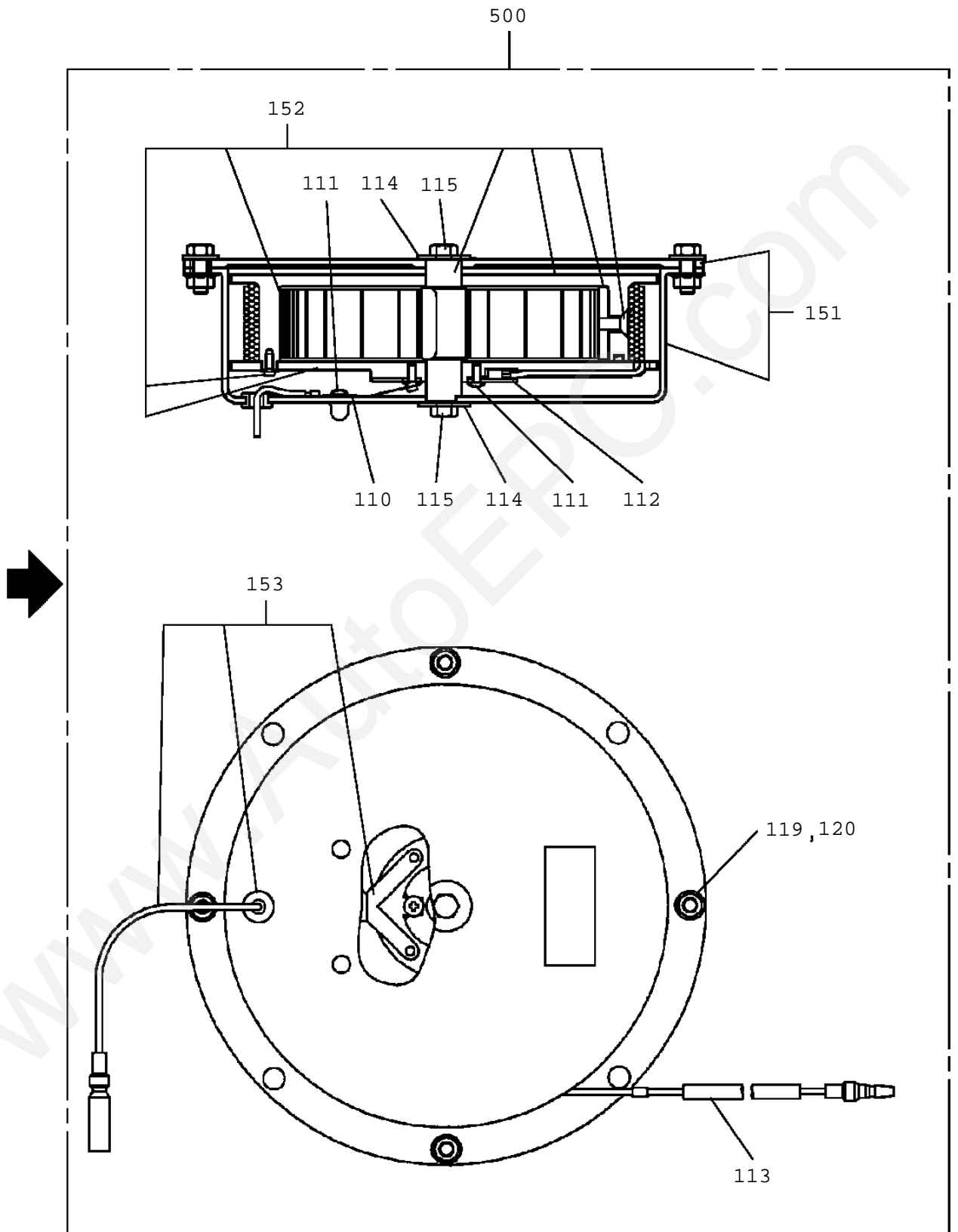
www.AutoEPC.com



TM-ZF300 31013020030 BOOM/4 SECT.  
PN1350004-01 REEL, CORD



TM-ZF300 31013020030 BOOM/4 SECT.  
PN1350004-01 REEL, CORD

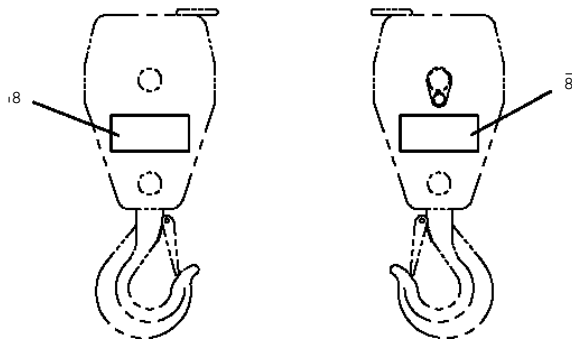
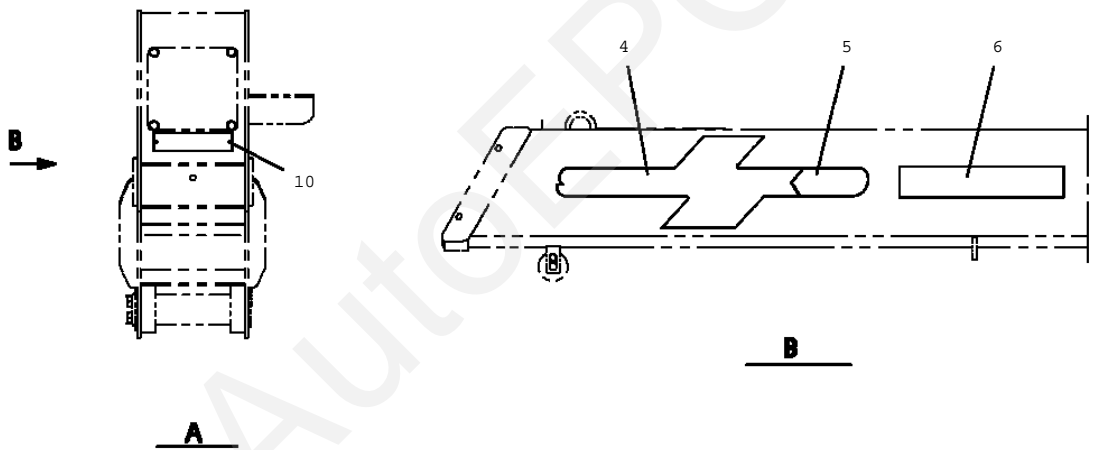
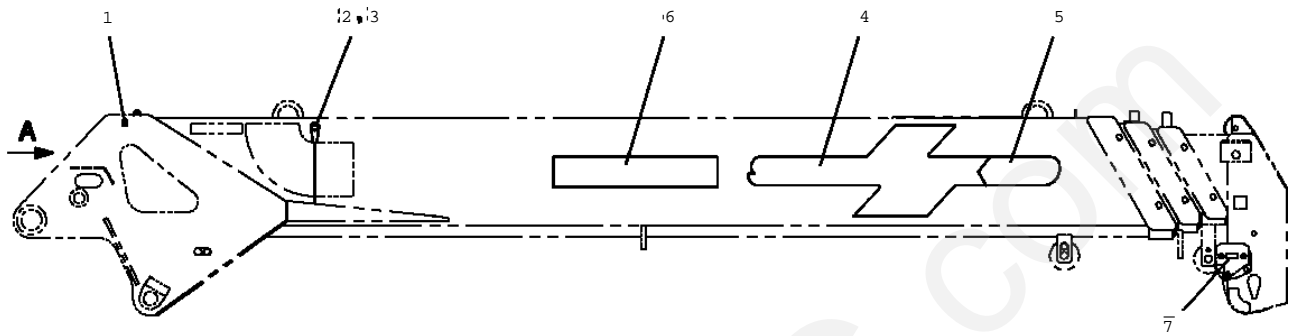


**TM-ZF300 31013020030 BOOM/4 SECT.**

Pos No.	Parts No	Parts Name	Qty	Unit	Technical Data	Serial No (Start)	Ser
110	31370257510	PLATE	1				
111	31370257520	SCREW,MACHINE	4		M3X6		
112	31370257530	RING,SLIP	1				
113	36160255020	CORD ASSY (MAIN)	1		L=11.6M		
114	31370257550	WASHER	2				
115	90102205008	BOLT	2		M5X8		
119	31370257560	BOLT (WITH W)	4		M5X12		
120	31370257570	NUT	4				
151	31370257580	CASE ASSY	1				
152	36160255030	SPRING ASSY	1				
153	36160255040	CORD ASSY (SUB)	1				
500	36160250000	REEL,CORD	1				

www.AutoEPC.com

TM-ZF300 31013020030 BOOM/4 SECT.  
PO1011512-01 PLATE ASSY,NAME (ZF300/JAPANESE)

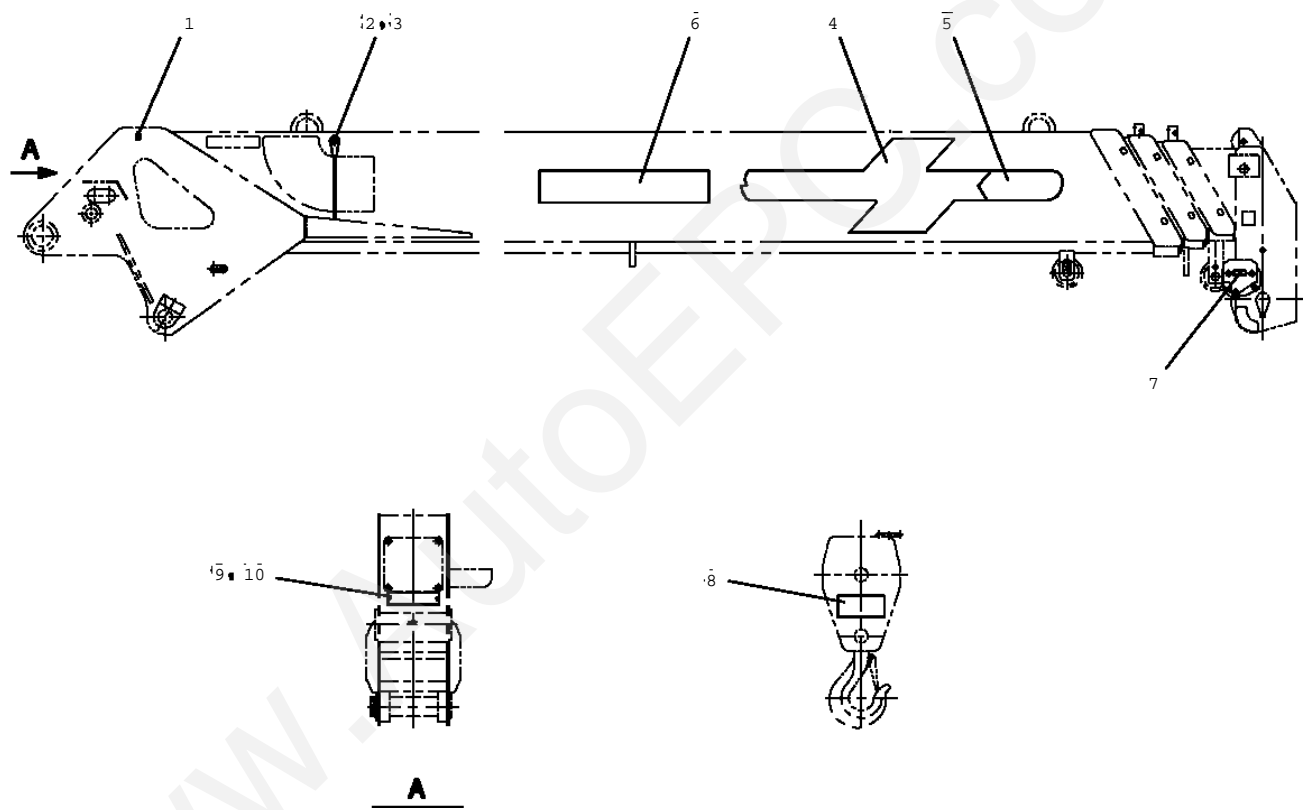


**TM-ZF300 31013020030 BOOM/4 SECT.**

Pos No.	Parts No	Parts Name	Qty	Unit	Technical Data	Serial No (Star
1	37002206490	PLATE,NAME (GREASE)	2			
2	31393410110	INDICATOR	2			
	31392140130	INDICATOR	2			048870
3	90190000060	BOLT	2		M10X16	
4	37002213600	PLATE,NAME (SUPER Z FX)	2			
	37002215560	PLATE,NAME (SUPER Z FX)	2			049737
5	37002213610	PLATE,NAME (300)	2			
	37002215970	PLATE,NAME (300)	2			049737
6	37002213590	PLATE,NAME (TADANO)	2			
	37002215550	PLATE,NAME (TADANO)	2			049737
7	37002212770	PLATE,NAME (DC24V,0.1A)	1			
8	37002213630	PLATE,NAME (2.93TON)	2			
10	90451700100	SCREW,TAPPING	2		M4X6.4	

www.AutoEPC.com

TM-ZF300 31013020030 BOOM/4 SECT.  
PO1011568-00 PLATE ASSY,NAME (ZF360,JAPANESE)

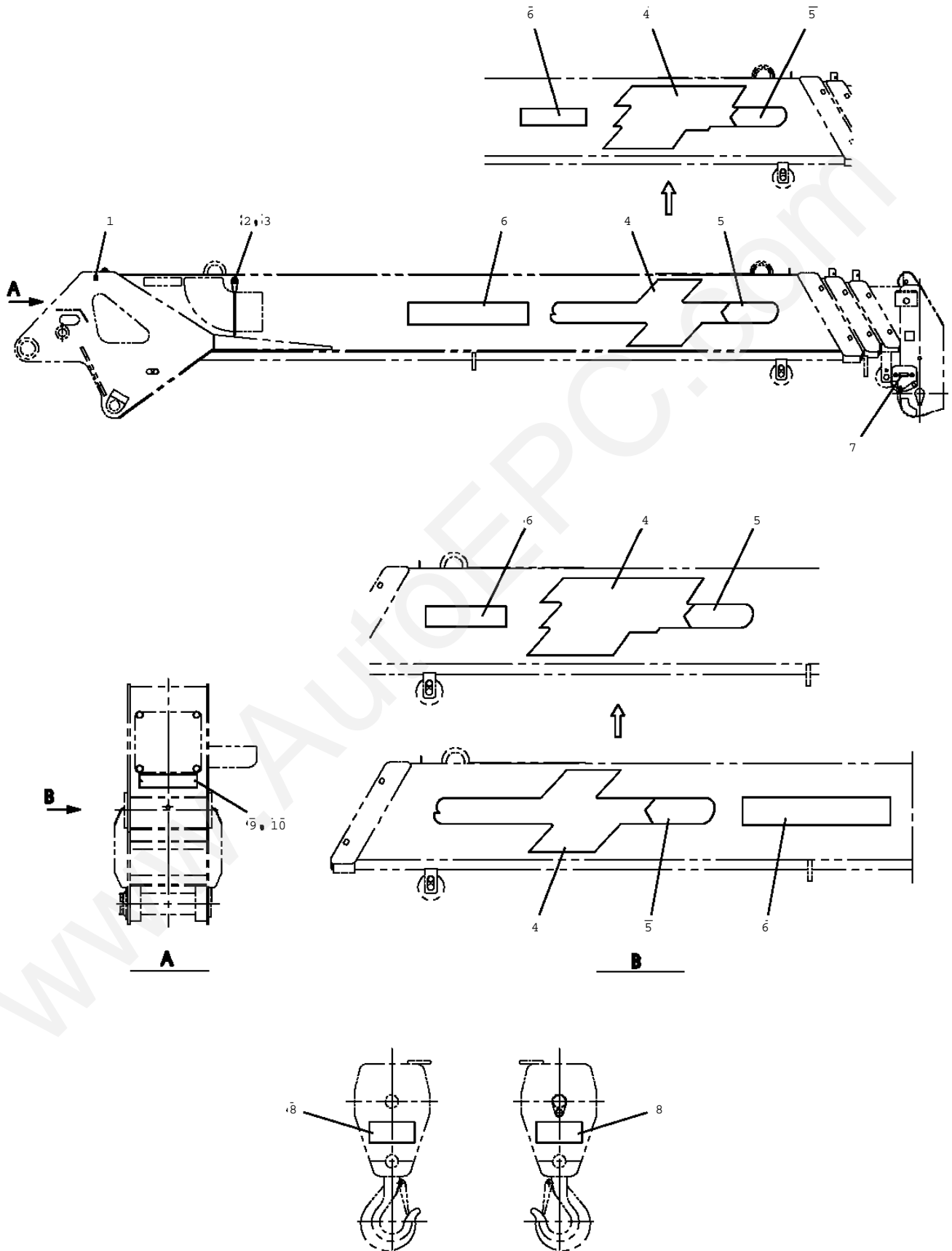


**TM-ZF300 31013020030 BOOM/4 SECT.**

Pos No.	Parts No	Parts Name	Qty	Unit	Technical Data	Serial No (Star
1	37002206490	PLATE,NAME (GREASE)	2			
2	31393410110	INDICATOR	2			
	31392140130	INDICATOR	2			048870
3	90190000060	BOLT	2		M10X16	
4	37002213600	PLATE,NAME (SUPER Z FX)	2			
	37002215560	PLATE,NAME (SUPER Z FX)	2			049737
5	37002213830	PLATE,NAME (360)	2			
	37002215980	PLATE,NAME (360)	2			049737
6	37002213590	PLATE,NAME (TADANO)	2			
	37002215550	PLATE,NAME (TADANO)	2			049737
7	37002212770	PLATE,NAME (DC24V,0.1A)	1			
8	37002213630	PLATE,NAME (2.93TON)	2			
10	90451700100	SCREW,TAPPING	2		M4X6.4	

www.AutoEPC.com

TM-ZF300 31013020030 BOOM/4 SECT.  
PO1011616-01 PLATE ASSY,NAME (ZF300/ENGLISH)



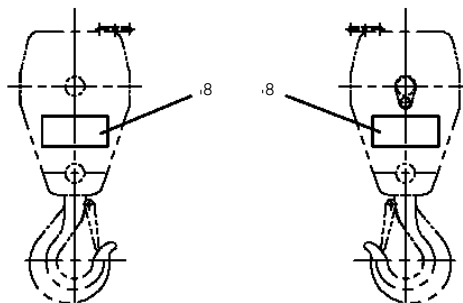
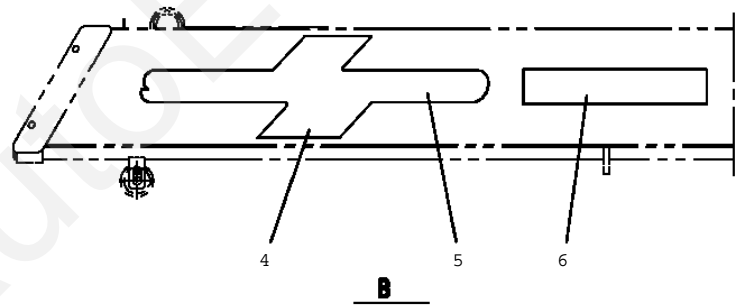
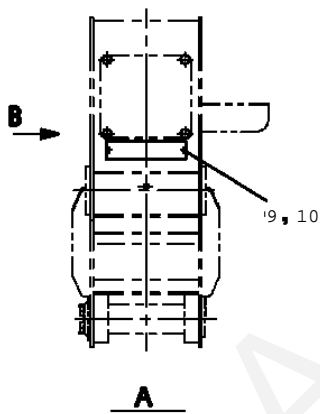
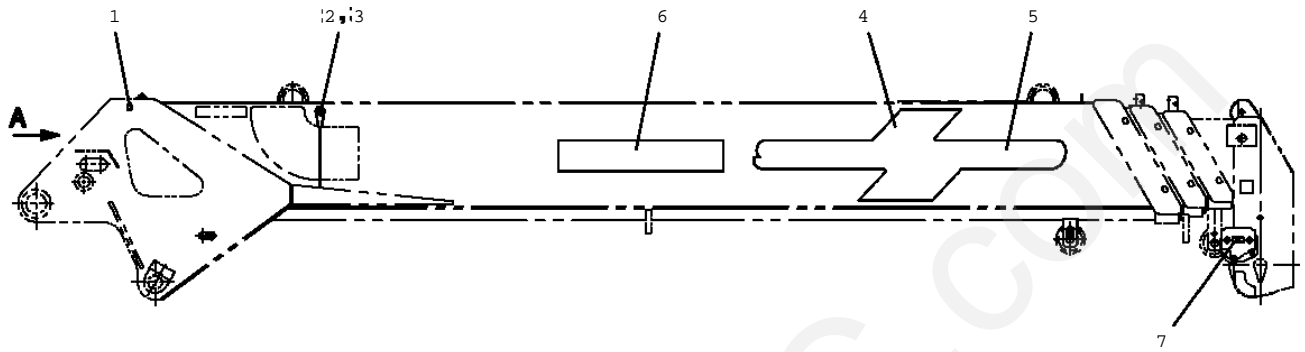


**TM-ZF300 31013020030 BOOM/4 SECT.**

Pos No.	Parts No	Parts Name	Qty	Unit	Technical Data	Serial No (Star
1	14137207000	PLATE,NAME (GREASE)	2			
2	31393410110	INDICATOR	2			
	31392140130	INDICATOR	2			048870
3	90190000060	BOLT	2		M10X16	
4	37002213600	PLATE,NAME (SUPER Z FX)	2			
	37002215560	PLATE,NAME (SUPER Z FX)	2			049737
5	37002213610	PLATE,NAME (300)	2			
	37002215970	PLATE,NAME (300)	2			049737
6	37002213590	PLATE,NAME (TADANO)	2			
	37002215550	PLATE,NAME (TADANO)	2			049737
7	37002212770	PLATE,NAME (DC24V,0.1A)	1			
8	37002209750	PLATE,NAME (3.0TON)	2			
10	90451700100	SCREW,TAPPING	2		M4X6.4	

www.AutoEPC.com

TM-ZF300 31013020030 BOOM/4 SECT.  
PO1011624-00 PLATE ASSY,NAME (ZF360/ENG.,FOR TAIWAN)

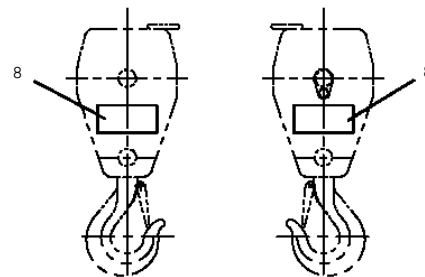
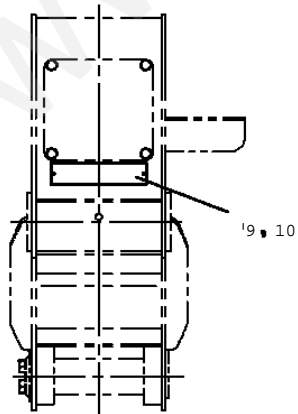
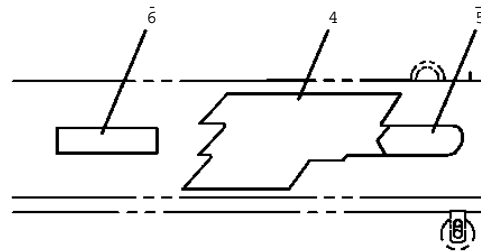
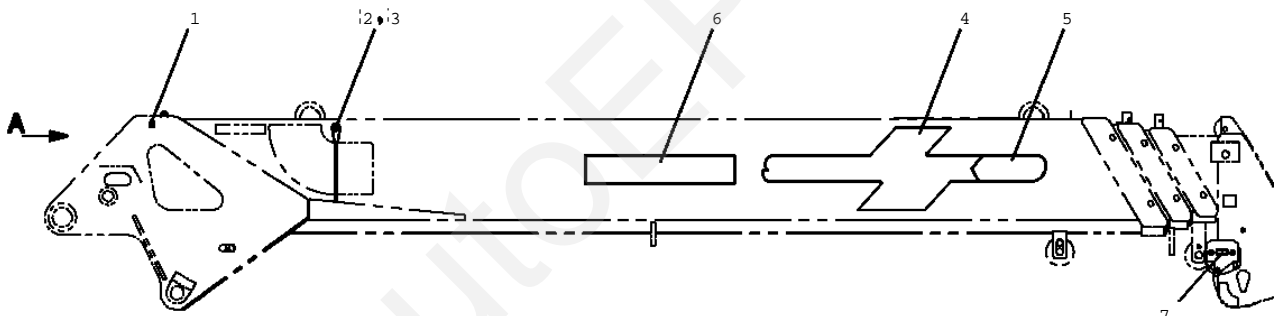
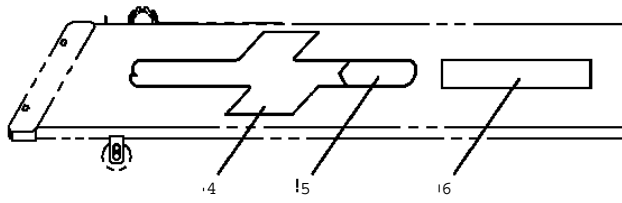
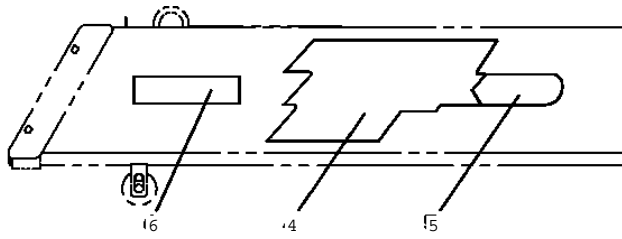


**TM-ZF300 31013020030 BOOM/4 SECT.**

Pos No.	Parts No	Parts Name	Qty	Unit	Technical Data	Serial No (Star
1	14137207000	PLATE,NAME (GREASE)	2			
	90451700100	SCREW,TAPPING	2		M4X6.4	050589
2	31393410110	INDICATOR	2			
	31392140130	INDICATOR	2			048870
3	90190000060	BOLT	2		M10X16	
4	37002213600	PLATE,NAME (SUPER Z FX)	2			
	37002215560	PLATE,NAME (SUPER Z FX)	2			049737
5	37002213830	PLATE,NAME (360)	2			
	37002215980	PLATE,NAME (360)	2			049737
6	37002213590	PLATE,NAME (TADANO)	2			
	37002215550	PLATE,NAME (TADANO)	2			049737
7	37002212770	PLATE,NAME (DC24V,0.1A)	1			
8	37002209750	PLATE,NAME (3.0TON)	2			
10	90451700100	SCREW,TAPPING	2		M4X6.4	

www.AutoEPC.com

TM-ZF300 31013020030 BOOM/4 SECT.  
PO1012174-00 PLATE ASSY,NAME (ZF300/ENG.& RUSSIAN)



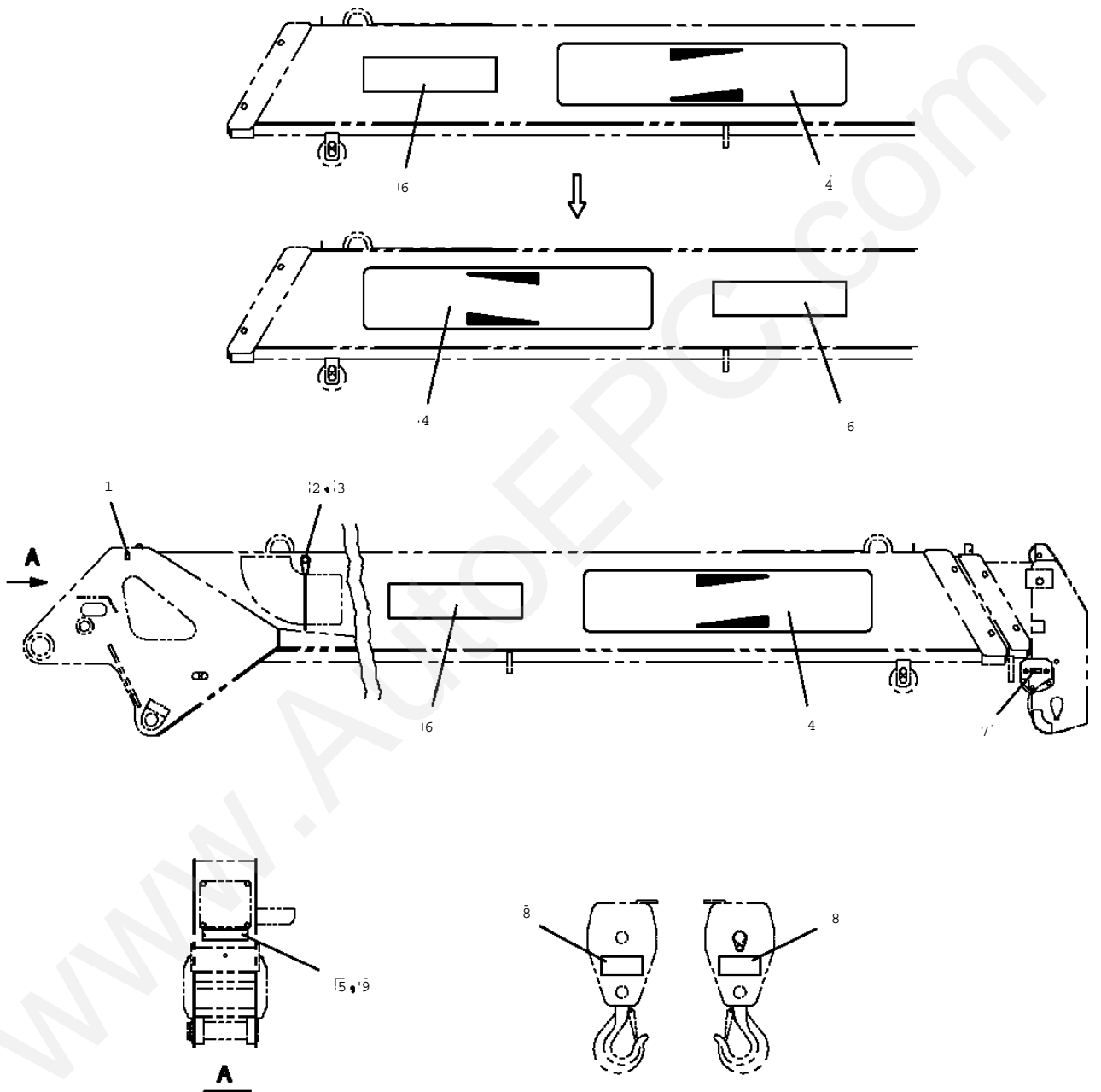
**A**

**TM-ZF300 31013020030 BOOM/4 SECT.**

Pos No.	Parts No	Parts Name	Qty	Unit	Technical Data	Serial No (S
1	37002202510	PLATE,NAME (GREASE)	2			
2	31392140130	INDICATOR	2			
3	90190000060	BOLT	2		M10X16	
4	37002213600	PLATE,NAME (SUPER Z FX)	2			
	37002215560	PLATE,NAME (SUPER Z FX)	2			049737
5	37002213610	PLATE,NAME (300)	2			
	37002215970	PLATE,NAME (300)	2			049737
6	37002213590	PLATE,NAME (TADANO)	2			
	37002215550	PLATE,NAME (TADANO)	2			049737
7	37002215470	PLATE,NAME (NOCT.24B,1,0A)	1			
8	31392070070	PLATE,NAME (300KG)	2			
10	90451700100	SCREW,TAPPING	2		M4X6.4	

www.AutoEPC.com

TM-ZF300 31013020030 BOOM/4 SECT.  
PO1012611-00 PLATE ASSY,NAME (ZF300/CHINESE)



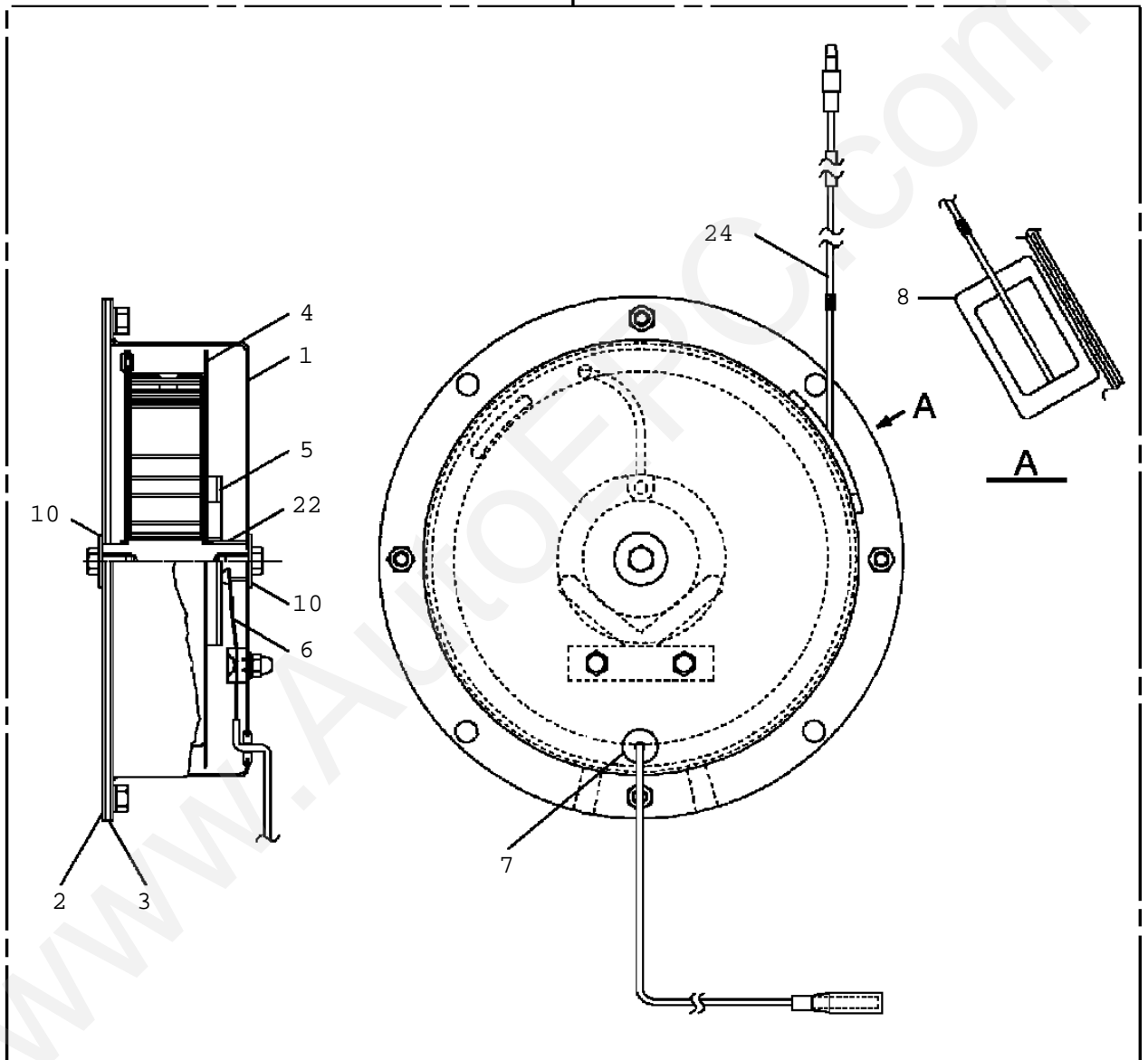
**TM-ZF300 31013020030 BOOM/4 SECT.**

Pos No.	Parts No	Parts Name	Qty	Unit	Technical Data	Serial No (Star
1	14137207000	PLATE,NAME (GREASE)	2			
2	31392140130	INDICATOR	2			
3	90190000060	BOLT	2		M10X16	
4	37002219150	PLATE,NAME (TC3.2B3)	2			
5	90451700100	SCREW,TAPPING	2		M4X6.4	
6	37002209550	PLATE,NAME (TADANO)	2			
7	37002212770	PLATE,NAME (DC24V,0.1A)	1			
8	37002219170	PLATE,NAME (3200KG)	2			

www.AutoEPC.com

TM-ZF300 31013020030 BOOM/4 SECT.  
PR5050007-00 REEL ASSY, CORD

100





**TM-ZF300 31013020030 BOOM/4 SECT.**

Pos No.	Parts No	Parts Name	Qty	Unit	Technical Data	Serial No (Start)	Serial No (End)
1	36161705010	CASE	1				
2	36132015010	PLATE (BASE)	1				
3	36161705020	PACKING	1				
4	36161705030	SPRING ASSY	1				
5	32360005050	RING,SLIP	1				
6	32360005060	CONTACTOR ASSY	1				
7	31370005070	GROMMET	1				
8	31370005080	GUIDE (CORD)	1				
10	36160935030	WASHER	2				
22	36160325010	COLLAR	1				
24	36131745090	CORD	17	M			
100	36161700000	REEL ASSY, CORD	1				

www.AutoEPC.com